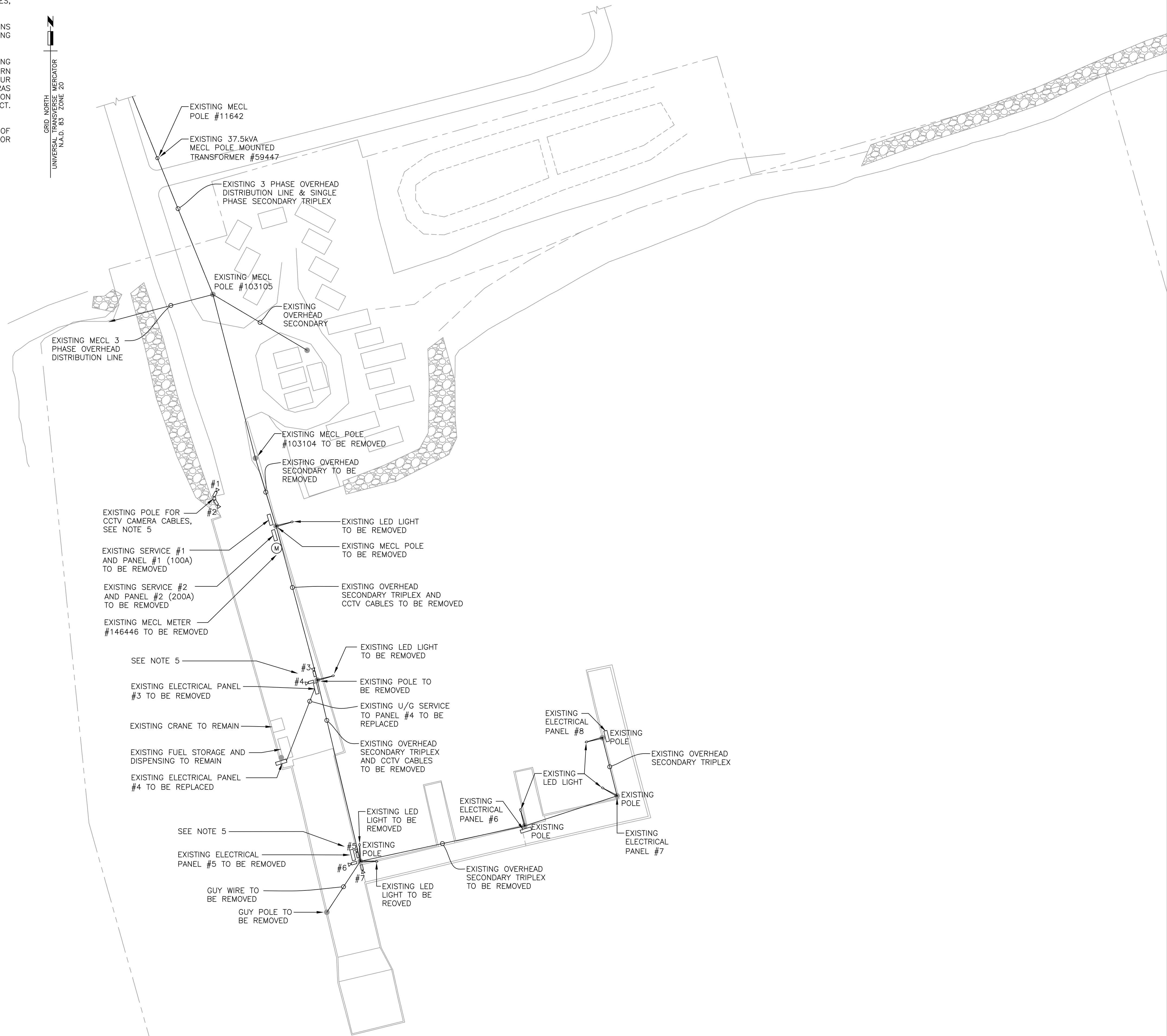


NOTES:

- 1.) DISCONNECT AND REMOVE ALL EXISTING ELECTRICAL EQUIPMENT AND MAKE ARRANGEMENTS FOR MECL TO REMOVE THEIR METER AND EXISTING POLE.
- 2.) ALL EXISTING EQUIPMENT REMOVED AS A PART OF THE SCOPE OF THIS CONTRACT SHALL BE DISPOSED OF.
- 3.) CONTRACTOR SHALL MAKE ARRANGEMENTS WITH MECL FOR THE DISCONNECTION AND REMOVAL OF ALL UTILITY RELATED EQUIPMENT THIS INCLUDES BUT IS NOT LIMITED TO ALL POLES, OVERHEAD CONDUCTORS, GUYWIRES, UTILITY METERS, ETC.
- 4.) MAKE ARRANGEMENTS WITH COMMUNICATIONS SERVICE PROVIDER TO REMOVE THE EXISTING OVERHEAD COMMUNICATIONS SERVICE.
- 5.) DISCONNECT AND REMOVE THE EXISTING CCTV CAMERAS #3, #4, #5, #6 & #7 AND TURN THEM OVER TO THE GEORGETOWN HARBOUR AUTHORITY FOR SAFE KEEPING. THESE CAMERAS WILL BE RE-INSTALLED BY OTHERS UPON COMPLETION OF THE WORK OF THIS CONTRACT. EXISTING CAMERAS #1 & #2 SHALL REMAIN.
- 6.) DISCONNECT AND REMOVE AND DISPOSE OF ALL EXISTING OVERHEAD CCTV COAX CABLES FOR CAMERAS #3, #4, #5, #6 & #7.

GRID NORTH
 UNIVERSAL TRANSVERSE MERCATOR
 N.A.D. 83 ZONE 20



LIGHTING

- 1'x4' (305x1219mm) SURFACE OR SUSPENDED LED FIXTURE
- EXTERIOR WALL MOUNTED LED AREA LIGHT, SEE LUMINAIRE SCHEDULE FOR DESCRIPTION
- EXTERIOR POLE MOUNTED LED AREA LIGHT ON ALUMINUM POLE & DAVID ARM. LUMINAIRE SCHEDULE

LIFE SAFETY SYSTEM

- EMERGENCY BATTERY UNIT - DOUBLE HEAD

SWITCHING

- SWITCH - SINGLE POLE

POWER DEVICES

- PANEL AS NOTED SURFACE MOUNTED
- DIRECT CONNECTION
- RECEPTACLE - DUPLEX

MECHANICAL

- MOTOR AS NOTED

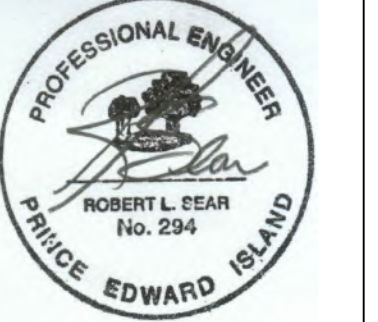
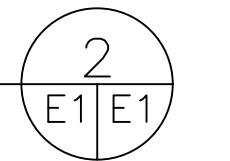
WIRING/CABLING

- JUNCTION/PULLBOX - FLUSH MOUNTED IN FINISHED AREAS OR WHERE INDICATED
- WIRING IN CEILING OR WALLS 3 #12 IN 16mm EMT C. UNLESS NOTED OTHERWISE
- WIRING IN CEILING SPACE FROM JUNCTION BOX TO FIXTURE, 3C #12 AC90 OR AS INDICATED
- WIRING IN/UNDER FLOOR
- HOME RUN TO DESIGNATED SERVICE

MISCELLANEOUS

- AFF ABOVE FINISHED FLOOR
- C/W COMPLETE WITH
- C. CONDUIT
- e EXISTING FIXTURE / DEVICE TO REMAIN
- re EXISTING FIXTURE / DEVICE TO BE RELOCATED
- er EXISTING FIXTURE / DEVICE TO BE REMOVED
- WP WEATHERROOF RATED DEVICE
- 4X NEMA 4X RATED DEVICE

SYMBOL LEDEND
SCALE : NOT TO SCALE

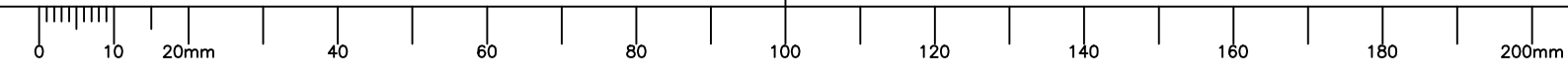


0	ISSUED FOR TENDER	SEPT. 15 2021
revisions		date
project		project

**STRUCTURE #402 AND #403 RECONSTRUCTION
GEORGETOWN
KINGS COUNTY, PE**

**PLAN DETAILS OF
REMOVALS AND
DEMOLITION**

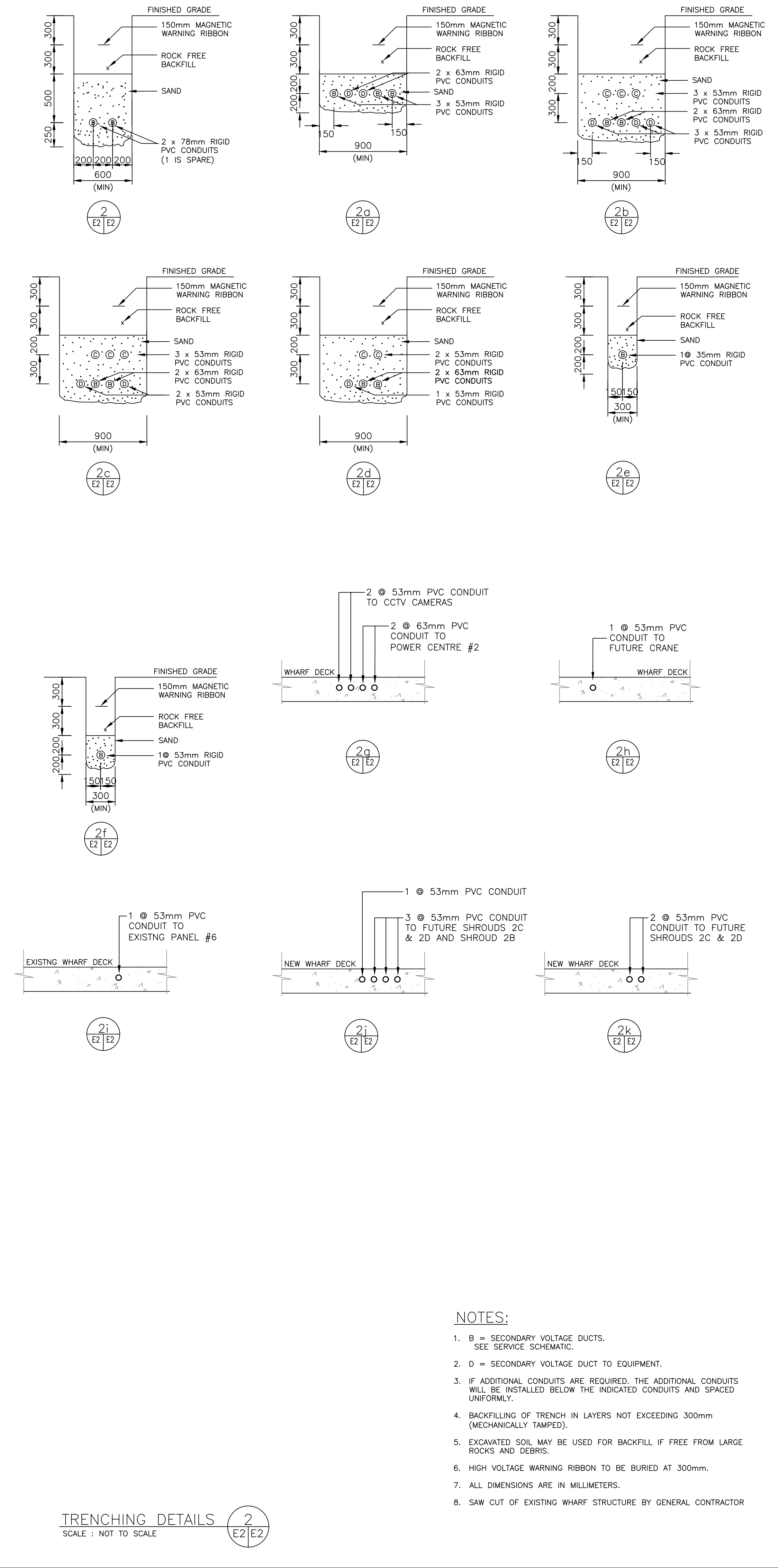
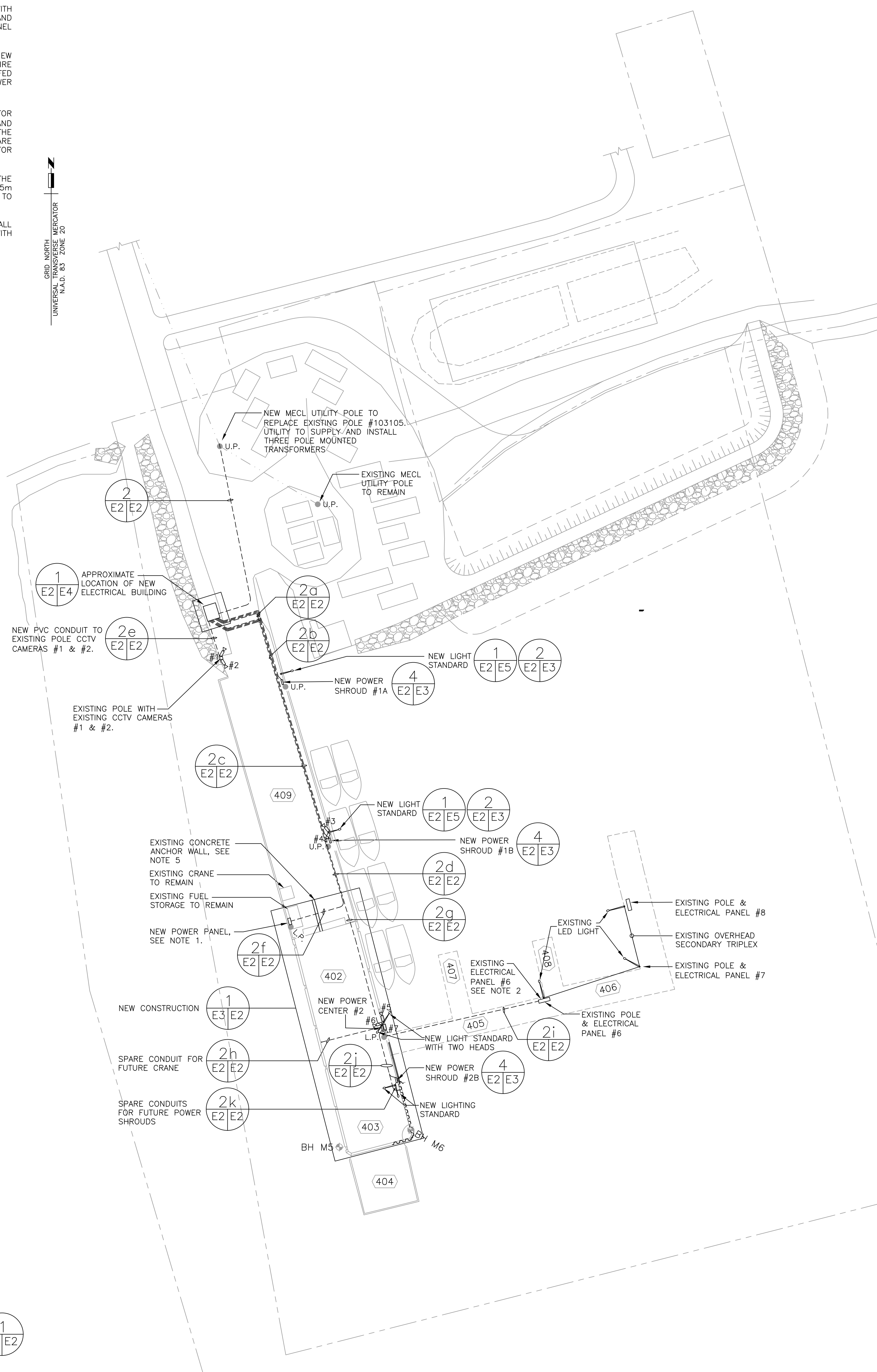
designed	R. L. SEAR	conçu
date	AUGUST 2019	
drawn	J. HORNE	dessiné
date	AUGUST 2019	
approved		approuvé
date		
Tender		Soumission
PWGC Project Manager	Administrateur de projets TPSCG	
project number	C2-00003	no. du projet
drawing no.	E1 of 6	no. du dessin



NOTES:

- 1.) REPLACE EXISTING PANEL AT FUEL DEPOT WITH A NEW PANEL IN A NEMA 4X ENCLOSURE AND REWIRE EXISTING LOADS. REFER TO PANEL SCHEDULE ON DRAWING E6.
- 2.) REPLACE EXISTING PANEL #6 WITH A NEW PANEL IN A NEMA 4X ENCLOSURE AND REWIRE EXISTING LOADS. THIS PANEL IS TO BE RE-FED FROM A 100A-2P BRANCH BREAKER IN POWER CENTER #2.
- 3.) SUPPLY AND INSTALL NEW COAX CABLE FOR CCTV CAMERAS #3, #4, #5, #6 AND #7 AND ROUTE UP INTO THE HAND HOLE OF THE APPROPRIATE LIGHT BASE. LEAVE 10m OF SPARE CABLE COILED UP IN THE POLE HANDHOLE FOR FUTURE INSTALLATION OF CAMERAS BY OTHERS.
- 4.) CCTV CABLES TO BE INSTALLED FROM THE EXISTING HARBOUR AUTHORITY BUILDING. LEAVE 5m OF SPARE CABLE FOR FUTURE TERMINATION TO HEAD END EQUIPMENT BY OTHERS.
- 5.) CORE DRILL THROUGH EXISTING ANCHOR WALL FOR CONDUIT PASSAGE. COORDINATE WORK WITH CIVIL CONTRACTOR.

GRID NORTH
 UNIVERSAL PROJECT MEGACOR
 N.A.D. 83 ZONE 20



- NOTES:**
1. B = SECONDARY VOLTAGE DUCTS. SEE SERVICE SCHEMATIC.
 2. D = SECONDARY VOLTAGE DUCT TO EQUIPMENT.
 3. IF ADDITIONAL CONDUITS ARE REQUIRED, THE ADDITIONAL CONDUITS WILL BE INSTALLED BELOW THE INDICATED CONDUITS AND SPACED UNIFORMLY.
 4. BACKFILLING OF TRENCH IN LAYERS NOT EXCEEDING 300mm (MECHANICALLY TAMPED).
 5. EXCAVATED SOIL MAY BE USED FOR BACKFILL IF FREE FROM LARGE ROCKS AND DEBRIS.
 6. HIGH VOLTAGE WARNING RIBBON TO BE BURIED AT 300mm.
 7. ALL DIMENSIONS ARE IN MILLIMETERS.
 8. SAW CUT OF EXISTING WHARF STRUCTURE BY GENERAL CONTRACTOR

TRENCHING DETAILS 2
SCALE: NOT TO SCALE

0	ISSUED FOR TENDER	SEPT 15 2021
revisions		date
project		project

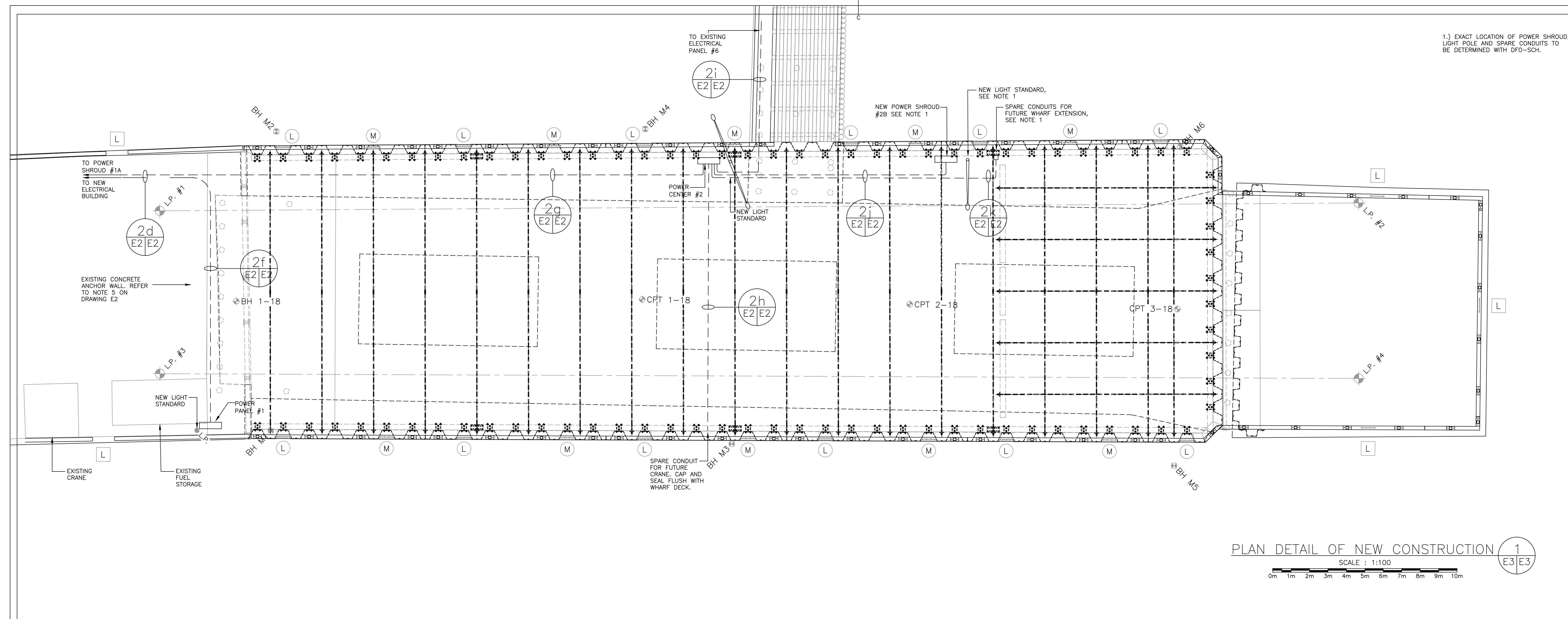
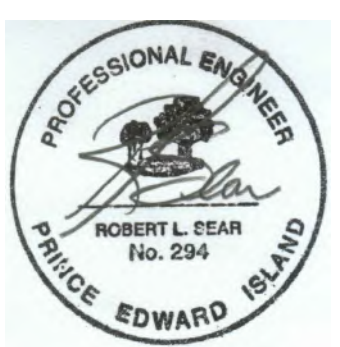
**STRUCTURE #402 AND #403 RECONSTRUCTION
GEORGETOWN
KINGS COUNTY, PE**

**PLAN DETAILS OF
REMOVALS AND
NEW CONSTRUCTION**

designed	R.L. SEAR	conçu
date	AUGUST 2019	
drawn	J. HORNE	dessiné
date	AUGUST 2019	
approved		approuvé
date		
Tender		Soumission
PWSC Project Manager	Administrateur de projets TPSGC	
project number	C2-00003	no. du projet
drawing no.	E2 of 6	no. du dessin

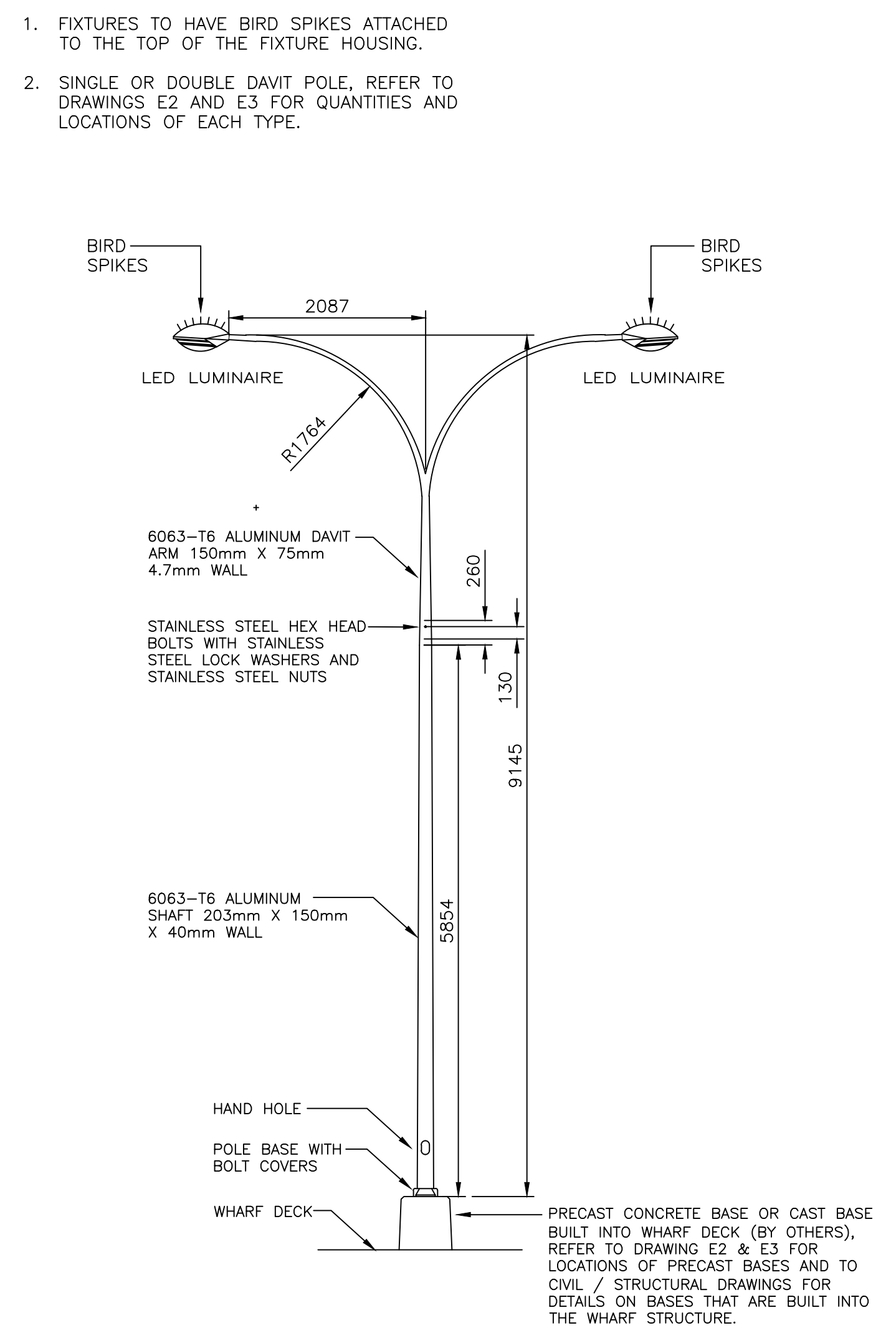


RICHARDSON ASSOCIATES (1992) Limited
Engineering Consultants
Telephone: 502 100 6500
Facsimile: 502 500 2100
Email: info@ra02.com
P.O. Box 1027
160 North River Road, Suite 1
Charlottetown, Prince Edward Island
Canada C1A 1X6

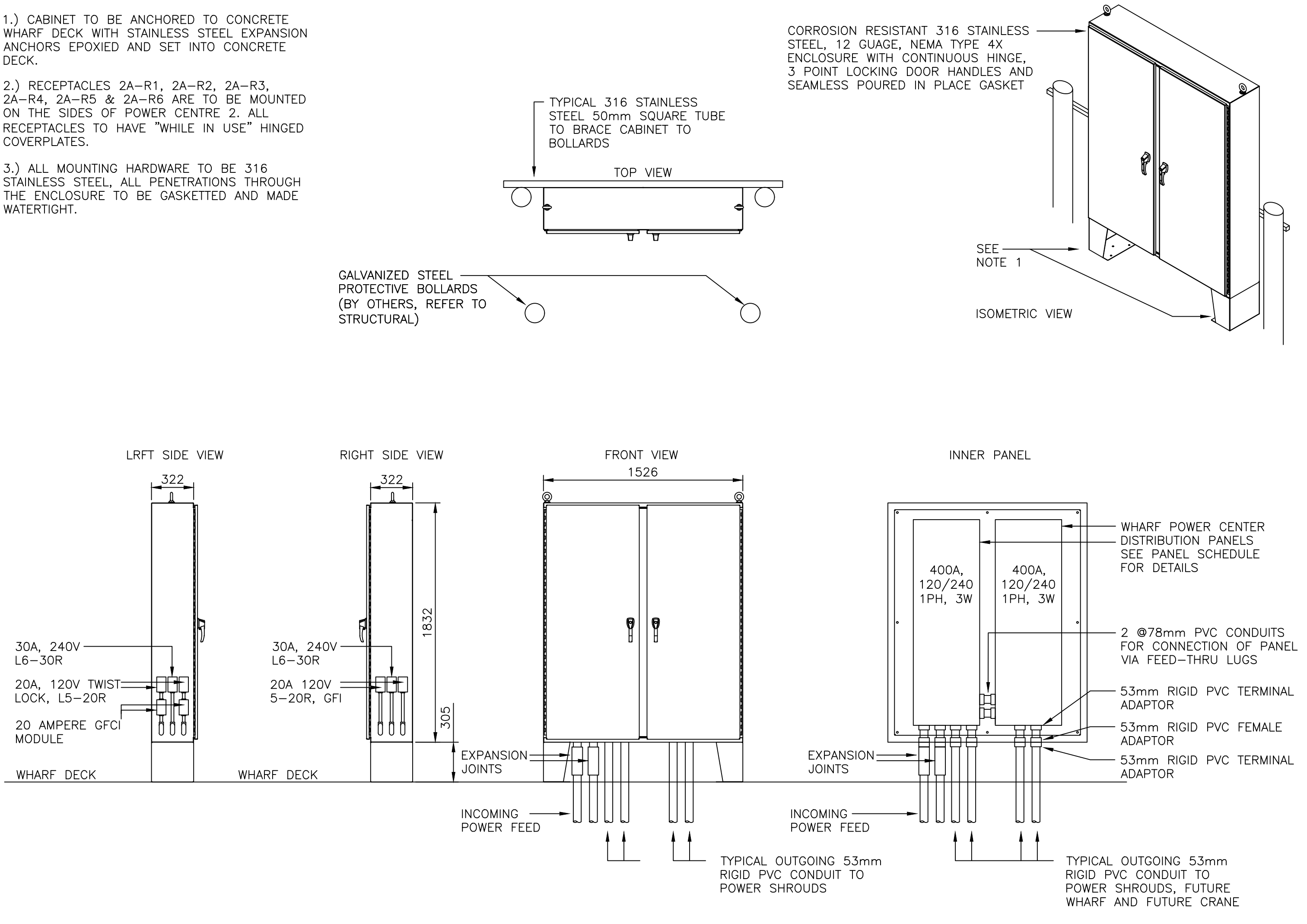


1.) EXACT LOCATION OF POWER SHROUD, LIGHT POLE AND SPARE CONDUITS TO BE DETERMINED WITH DFO-SCH.

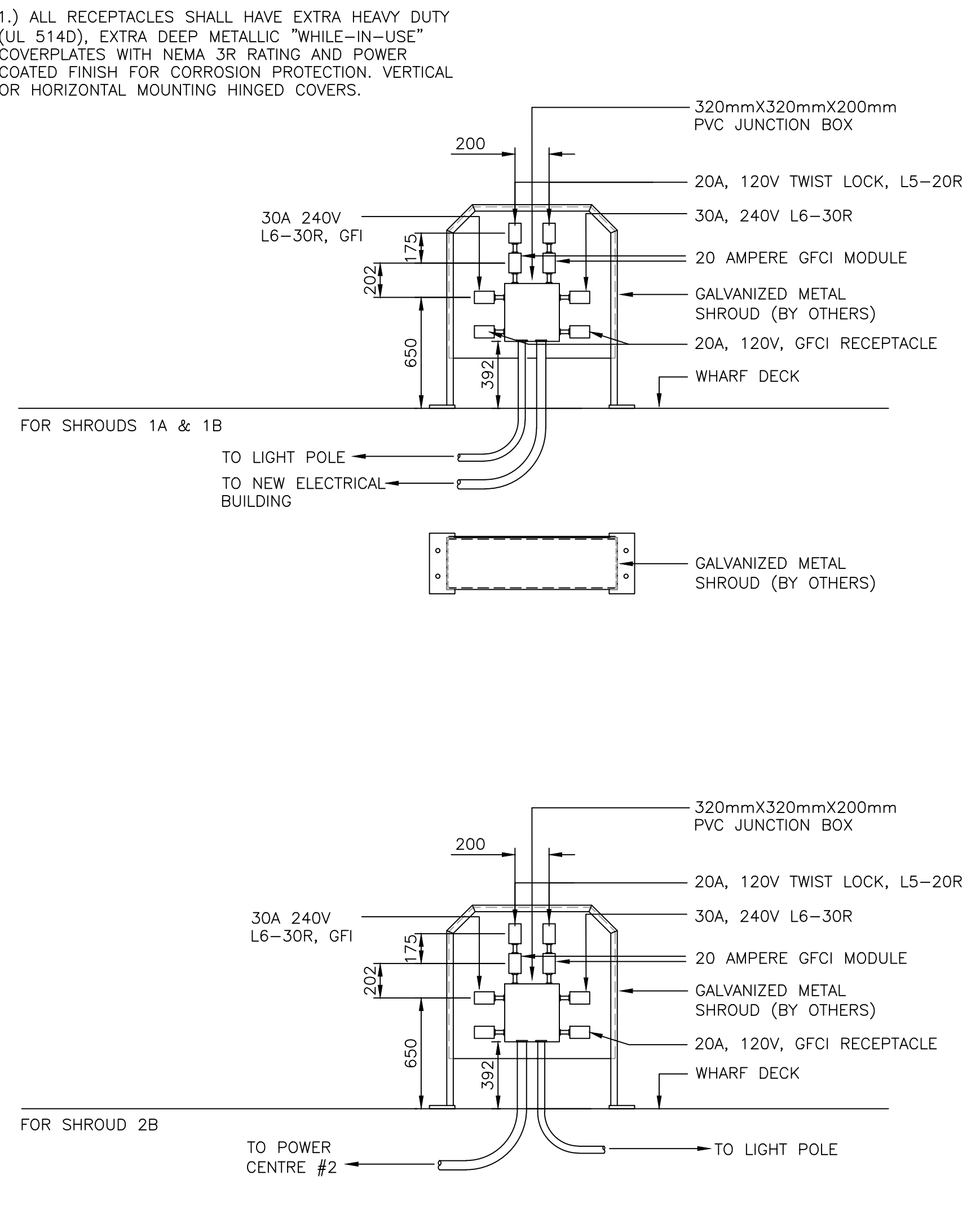
PLAN DETAIL OF NEW CONSTRUCTION 1
SCALE: 1:100
0m 1m 2m 3m 4m 5m 6m 7m 8m 9m 10m



WHARF LUMINAIRE 2
SCALE: 1:50
0m 1m 2m 3m 4m 5m



TYPICAL WHARF POWER CENTRE 3
SCALE: 1:25
0mm 500mm 1000mm 1500mm 2000mm 2500mm



TYPICAL POWER SHROUD DETAIL 4
SCALE: 1:25
0mm 500mm 1000mm 1500mm 2000mm 2500mm

0	ISSUED FOR TENDER	SEPT 15 2021
revisions		date
project		project

STRUCTURE #402 AND #403 RECONSTRUCTION GEORGETOWN KINGS COUNTY, PE

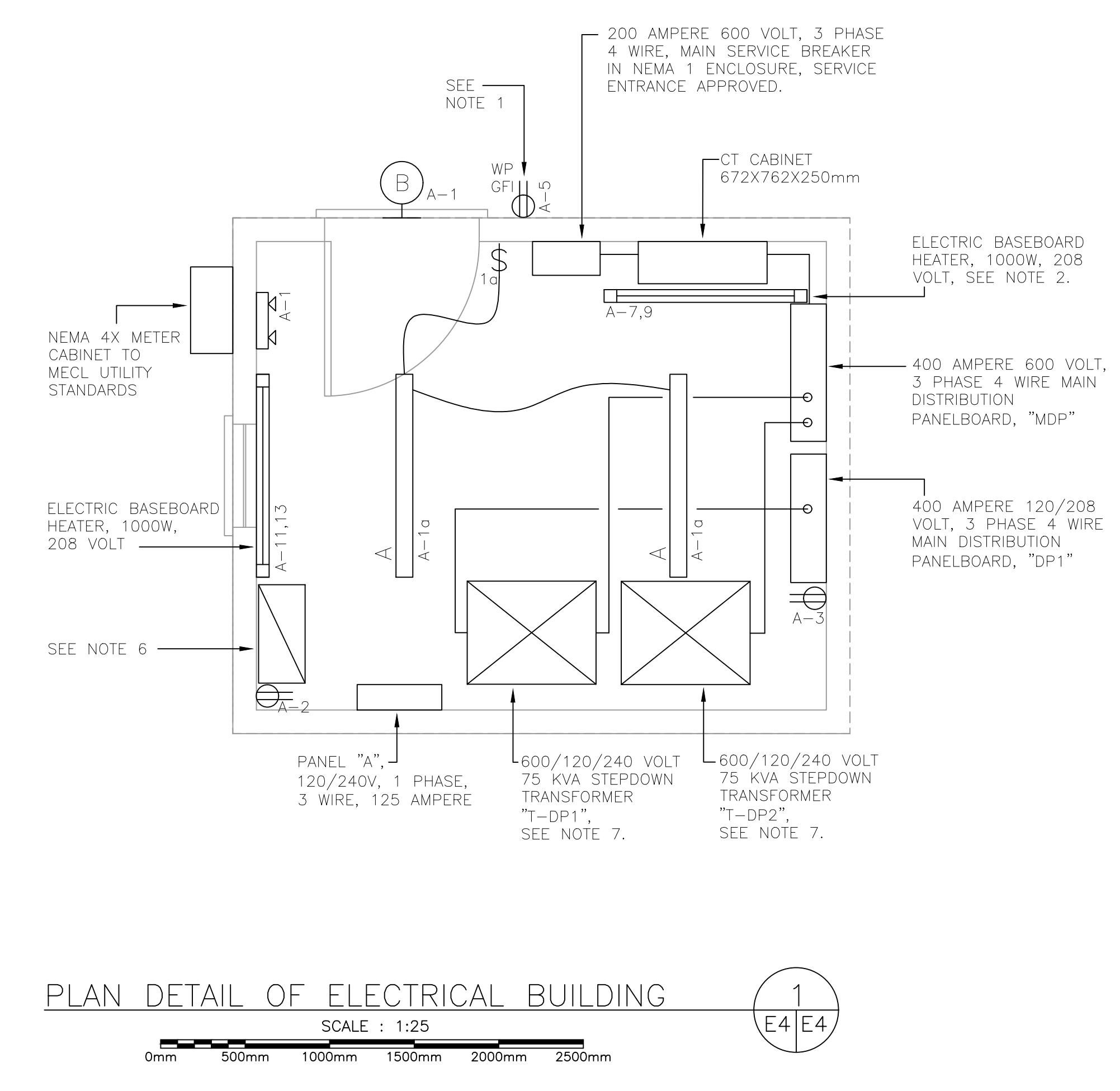
drawing	design
designed	R.L. SEAR conçu
date	AUGUST 2019
drawn	J. HORNE dessiné
date	AUGUST 2019
approved	approuvé
date	
Tender	Soumission
PWGSC Project Manager	Administrateur de projets TPSGC
project number	no. du projet
	C2-00003
drawing no.	no. du dessin
	E3 of 6

ELECTRICAL BUILDING	LOADS	BRK. RATING	VOLTAGE	RATED CURRENT	CIRCUIT	DISTANCE METER (FT)	VOLTAGE DROP	FEEDER SIZE	CONDUIT SIZE	COMMENTS
	FUEL DEPOT PANEL	100A-2P	240V	60 AMPS		90 (295')	1.56%	3 #2/0 + BOND	53mm PVC	
	POWER CENTRE #2	400A-2P	240V	320 AMPS		109 (357')	2.74%	2 RUNS 3 #300 MCM	2 @ 63mm PVC	

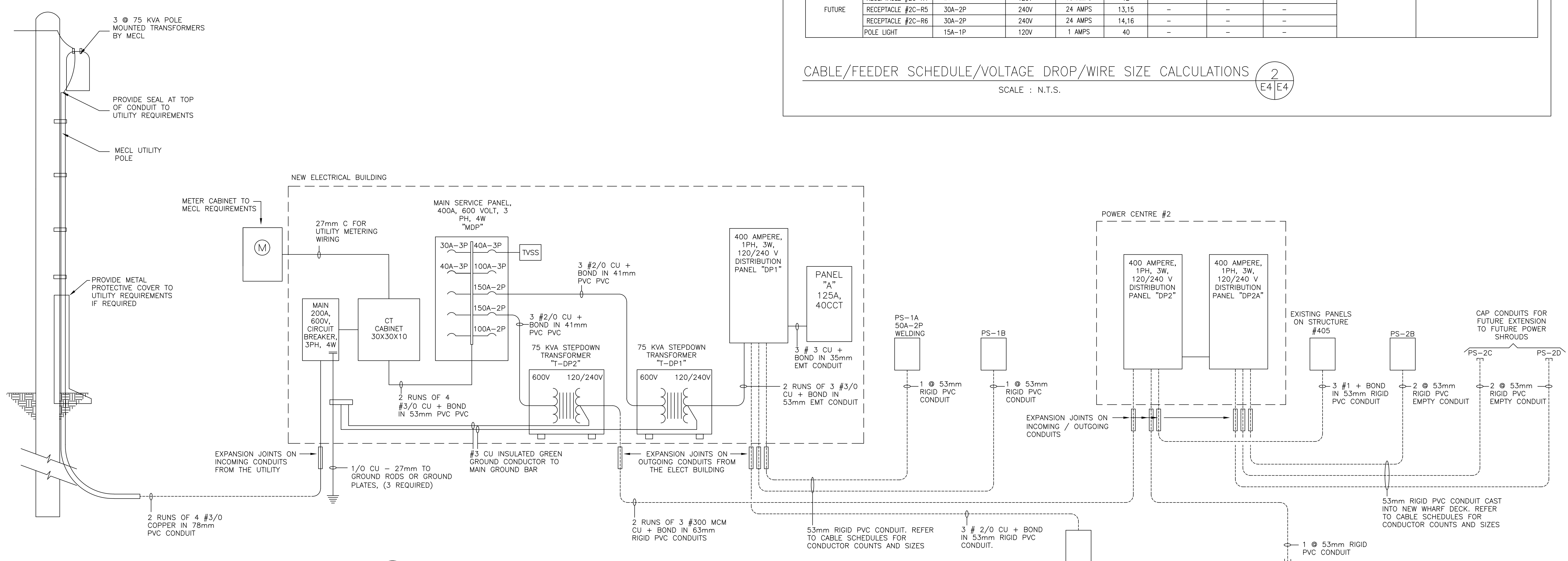
SHROUD #	LOADS	BRK. RATING	VOLTAGE	RATED CURRENT	CIRCUIT	DISTANCE METER (FT)	VOLTAGE DROP	FEEDER SIZE	CONDUIT SIZE	COMMENTS
1A	RECEPTACLE #1A-R1	20A-1P	120V	16 AMPS	1	26 (85')	2.59%	2 #10 + #12B	53mm PVC	
	RECEPTACLE #1A-R2	20A-1P	120V	16 AMPS	2	26 (85')	2.59%	2 #10 + #12B		
	RECEPTACLE #1A-R3	20A-1P	120V	16 AMPS	3	26 (85')	2.59%	2 #10 + #12B		
	RECEPTACLE #1A-R4	20A-1P	120V	16 AMPS	4	26 (85')	2.59%	2 #10 + #12B		
	RECEPTACLE #1A-R5	30A-2P	240V	24 AMPS	5,7	26 (85')	1.79%	2 #10 + #12B		
	RECEPTACLE #1A-R6	30A-2P	240V	24 AMPS	6,8	26 (85')	1.79%	2 #10 + #12B		
1B	POLE LIGHT	15A-1P	120V	1 AMPS	40	26 (85')	1.79%	2 #10 + #12B	53mm PVC	
	RECEPTACLE #1B-R1	20A-1P	120V	16 AMPS	9	67 (220')	2.59%	2 #6 + #8B		
	RECEPTACLE #1B-R2	20A-1P	120V	16 AMPS	10	67 (220')	2.59%	2 #6 + #8B		
	RECEPTACLE #1B-R3	20A-1P	120V	16 AMPS	11	67 (220')	2.59%	2 #6 + #8B		
	RECEPTACLE #1B-R4	20A-1P	120V	16 AMPS	12	67 (220')	2.59%	2 #6 + #8B		
	RECEPTACLE #1B-R5	30A-2P	240V	24 AMPS	13,15	67 (220')	1.94%	2 #6 + #8B		
2A	RECEPTACLE #2A-R1	20A-1P	120V	16 AMPS	1	1 (3')	0.00%	2 #12 + #12B	53mm PVC	NOTE THE RECEPTACLES ARE MOUNTED ON THE SIDE OF POWER CENTRE #2.
	RECEPTACLE #2A-R2	20A-1P	120V	16 AMPS	2	1 (3')	0.00%	2 #12 + #12B		
	RECEPTACLE #2A-R3	20A-1P	120V	16 AMPS	3	1 (3')	0.00%	2 #12 + #12B		
	RECEPTACLE #2A-R4	20A-1P	120V	16 AMPS	4	1 (3')	0.00%	2 #12 + #12B		
	RECEPTACLE #2A-R5	30A-2P	240V	24 AMPS	5,7	1 (3')	0.00%	2 #10 + #12B		
	RECEPTACLE #2A-R6	30A-2P	240V	24 AMPS	6,8	1 (3')	0.00%	2 #10 + #12B		
2B	POLE LIGHT	15A-1P	120V	1 AMPS	40	9 (30')	0.09%	2 #12 + #12B	53mm PVC	
	RECEPTACLE #2B-R1	20A-1P	120V	16 AMPS	9	13 (42')	1.29%	2 #10 + #12B		
	RECEPTACLE #2B-R2	20A-1P	120V	16 AMPS	10	13 (42')	1.29%	2 #10 + #12B		
	RECEPTACLE #2B-R3	20A-1P	120V	16 AMPS	11	13 (42')	1.29%	2 #10 + #12B		
	RECEPTACLE #2B-R4	20A-1P	120V	16 AMPS	12	13 (42')	1.29%	2 #10 + #12B		
	RECEPTACLE #2B-R5	30A-2P	240V	24 AMPS	13,15	13 (42')	0.97%	2 #10 + #12B		
2C	RECEPTACLE #2C-R1	20A-1P	120V	16 AMPS	1	-	-	-	53mm PVC	NO CONDUCTORS INSTALLED AT THIS TIME, CONDUITS SHALL HAVE FISH ROPE INSTALLED AND BE SEALED FOR FUTURE USE
	RECEPTACLE #2C-R2	20A-1P	120V	16 AMPS	2	-	-	-		
	RECEPTACLE #2C-R3	20A-1P	120V	16 AMPS	3	-	-	-		
	RECEPTACLE #2C-R4	20A-1P	120V	16 AMPS	4	-	-	-		
	RECEPTACLE #2C-R5	30A-2P	240V	24 AMPS	5,7	-	-	-		
	RECEPTACLE #2C-R6	30A-2P	240V	24 AMPS	6,8	-	-	-		
2D	POLE LIGHT	15A-1P	120V	1 AMPS	40	-	-	-	53mm PVC	NO CONDUCTORS INSTALLED AT THIS TIME, CONDUITS SHALL HAVE FISH ROPE INSTALLED AND BE SEALED FOR FUTURE USE
	RECEPTACLE #2D-R1	20A-1P	120V	16 AMPS	9	-	-	-		
	RECEPTACLE #2D-R2	20A-1P	120V	16 AMPS	10	-	-	-		
	RECEPTACLE #2D-R3	20A-1P	120V	16 AMPS	11	-	-	-		
	RECEPTACLE #2D-R4	20A-1P	120V	16 AMPS	12	-	-	-		
	RECEPTACLE #2D-R5	30A-2P	240V	24 AMPS	13,15	-	-	-		
RECEPTACLE #2D-R6	30A-2P	240V	24 AMPS	14,16	-	-	-			

CABLE/FEEDER SCHEDULE/VOLTAGE DROP/WIRE SIZE CALCULATIONS
SCALE : N.T.S.

- HEAVY DUTY "WHILE-IN-USE" WEATHER PROOF COVERPLATE.
- BASEBOARD HEATER TO BE MOUNTED ON THE WALL BELOW CT CABINET.
- TYPE "A" LUMINAIRE TO BE 1200mm LONG VAPOUR TIGHT LED WITH GASKET LENS, 4000K COLOR TEMPERATURE, 33 WATT, 4200 LUMEN OUTPUT. STANDARD OF ACCEPTANCE, AIMLITE, CAT. #VP4-L-A2A-4-40K.
- EXTERIOR LED WALL MOUNTED TYPE "B" LUMINAIRE, 4000K COLOR TEMPERATURE, 15 WATT, 2522 LUMEN OUTPUT BRONZE IN COLOR. STANDARD OF ACCEPTANCE, AIMLITE, CAT. #W31-LA2-2/3C-BR.
- WALL MOUNTED EMERGENCY LIGHTING BATTERY PACK, 120 VAC/12 VOLT DC, 72 WATT, 2 @ 2.5 WATT LED LAMPS. STANDARD OF ACCEPTANCE, AIMLITE, CAT. #EBST-12-2L.
- SPACE RESERVED FOR HARBOR AUTHORITY CCTV RECORDER / HEAD END EQUIPMENT. ALL NEW CCTV CAMERA CONDUITS AND COAX CABLING TO TERMINATE AT THIS LOCATION. ALL FINAL CONNECTIONS AND INSTALLATION OF EQUIPMENT WILL BE UNDERTAKEN BY THE HARBOR AUTHORITY.
- TRANSFORMERS TO BE PLACED ON CONCRETE PAVING STONES TO ISOLATE THEM FROM THE ELECTRICAL BUILDING FLOOR.



PLAN DETAIL OF ELECTRICAL BUILDING
SCALE : 1:25



WHARF STRUCTURE #403- SERVICE SCHEMATIC
SCALE : N.T.S.

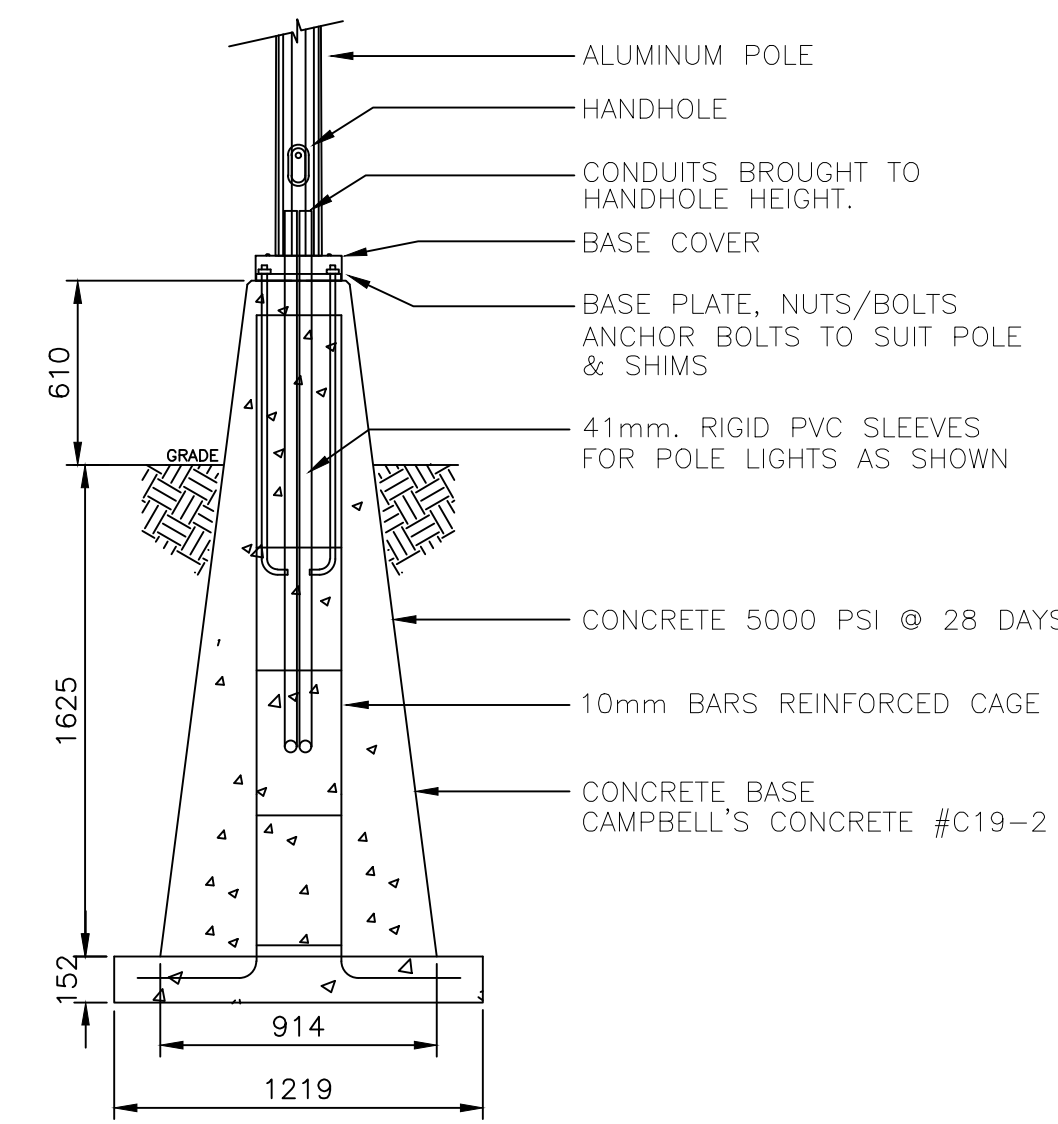
0	ISSUED FOR TENDER	SEPT 15 2021
revisions		date
project		project

STRUCTURE #402 AND #403 RECONSTRUCTION
GEORGETOWN
KINGS COUNTY, PE

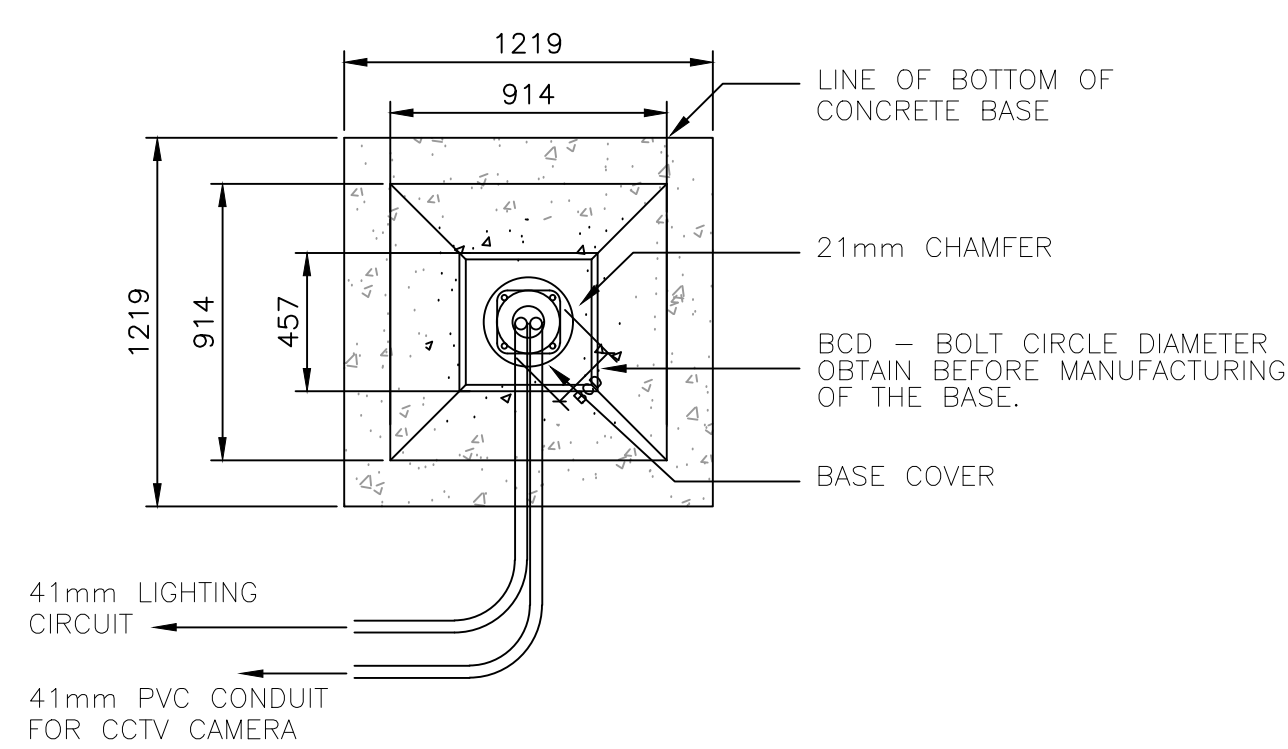
ELECTRICAL SERVICE SCHEMATIC AND DETAILS

designed	R.I. SEAR	conçu
date	AUGUST 2019	
drawn	J. HORNE	dessiné
date	AUGUST 2019	
approved		approuvé
date		
Tender		Soumission
PWSSC Project Manager	Administrateur de projets TPSSC	
project number		no. du projet

C2-00003
drawing no. E4 of 6

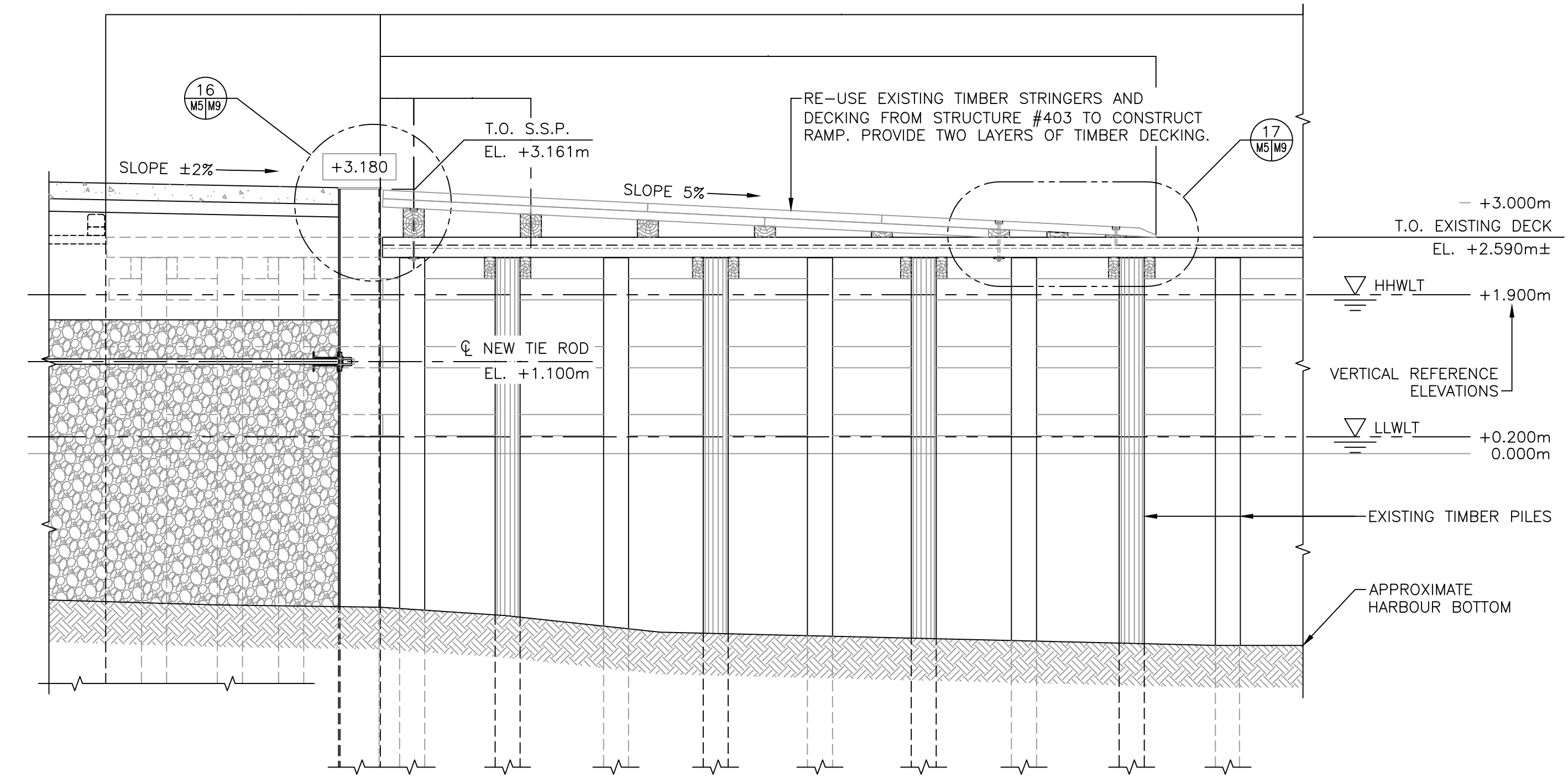


ELEVATION



PLAN

TYPICAL PRECAST BASE DETAIL
SCALE : 1:25
0mm 500mm 1000mm 1500mm 2000mm 2500mm



NEW CONSTRUCTION SECTION
SCALE : 1:50
0m 1m 2m 3m 4m 5m

0	ISSUED FOR TENDER	SEPT. 15 2021
revisions		date
project		projet

STRUCTURE #402 AND #403 RECONSTRUCTION
GEORGETOWN
KINGS COUNTY, PE

drawing dessin
NEW CONSTRUCTION CROSS SECTIONS AND DETAILS

designed	R.L. SEAR	conçu
date	AUGUST 2019	
drawn	J. HORNE	dessiné
date	AUGUST 2019	
approved		approuvé
date		
Tender		Soumission
PWGC Project Manager	Administrateur de projets TPSGC	
project number		no. du projet
	C2-00003	
drawing no.		no. du dessin
	E5 of 6	

