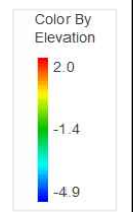


GENERAL NOTES:
 SITE CONDITION SOUNDINGS COLLECTED BY JIM CONSTRUCTION SURVEY DEPT ON JANUARY 29TH 2021

ALL SOUNDINGS ARE IN M AND SHOWN IN CSRS DATUM ON NAD83 UTM ZONE 10 NORTH PROJECTIONS. SOUNDINGS HAVE BEEN FURTHER REDUCED TO CHART DATUM WHICH IS 2.25M BELOW GEODETIC DATUM. MINOR CONTOURS @ 0.5M MAJOR CONTOURS @ 2.5M SPOT ELEVATION ARE SHOWN ON A 7.5Mx7.5M GRID DENSITY OF ACTUAL PROCESSED SOUNDINGS @ 30CM

SOUNDING EQUIPMENT USED; NORBIT IHBMS MULTIBEAM SONAR. POSITIONAL GNSS TIDE AND POSITIONAL; NOVATEL PROPAK 6 RTK VRS CORRECTIONS USED TO CORRECT THE GNSS REAL TIME POSITIONS BASE STATION USED BCLI GCM 869792 LULU ISLAND



ADDITIONAL NOTES/COMMENTS

CLIENT: FISHERIES AND OCEANS CANADA



LOCATION:
 CANNERY CHANNEL, STEVESTON

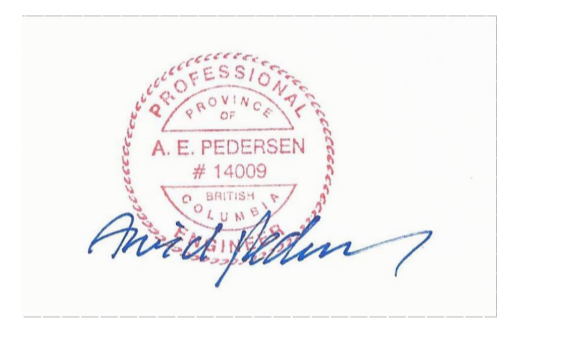
PROJECT DETAILS
 419-1008 STEVESTON GULF SITE CONDITION SURVEY
 DESCRIPTION:
 CONDITION SURVEY AS REQUESTED BY DFO
 GRID PROJECTIONS:
 UTM710N-NAD 83 ELEVATIONS ARE CHART DATUM

SURVEY BY : PB	DRAWN BY : PB
SCALE : AS SHOWN	DATE :29TH JAN 2021
DRAWING No: 56178 - 001	

STEVESTON GULF - DREDGE AREA

REV	DESCRIPTION	BY	DATE
R00	X		2021-01-29





DO NOT SCALE DRAWINGS

1	ISSUED FOR TENDER	21/08/11
Revision/	Description/Description	Date/Date

Fisheries & Oceans Canada
Small Craft Harbours Branch
Pacific Division
200 - 401 Burrard Street
Vancouver, Canada, V6C 3S4

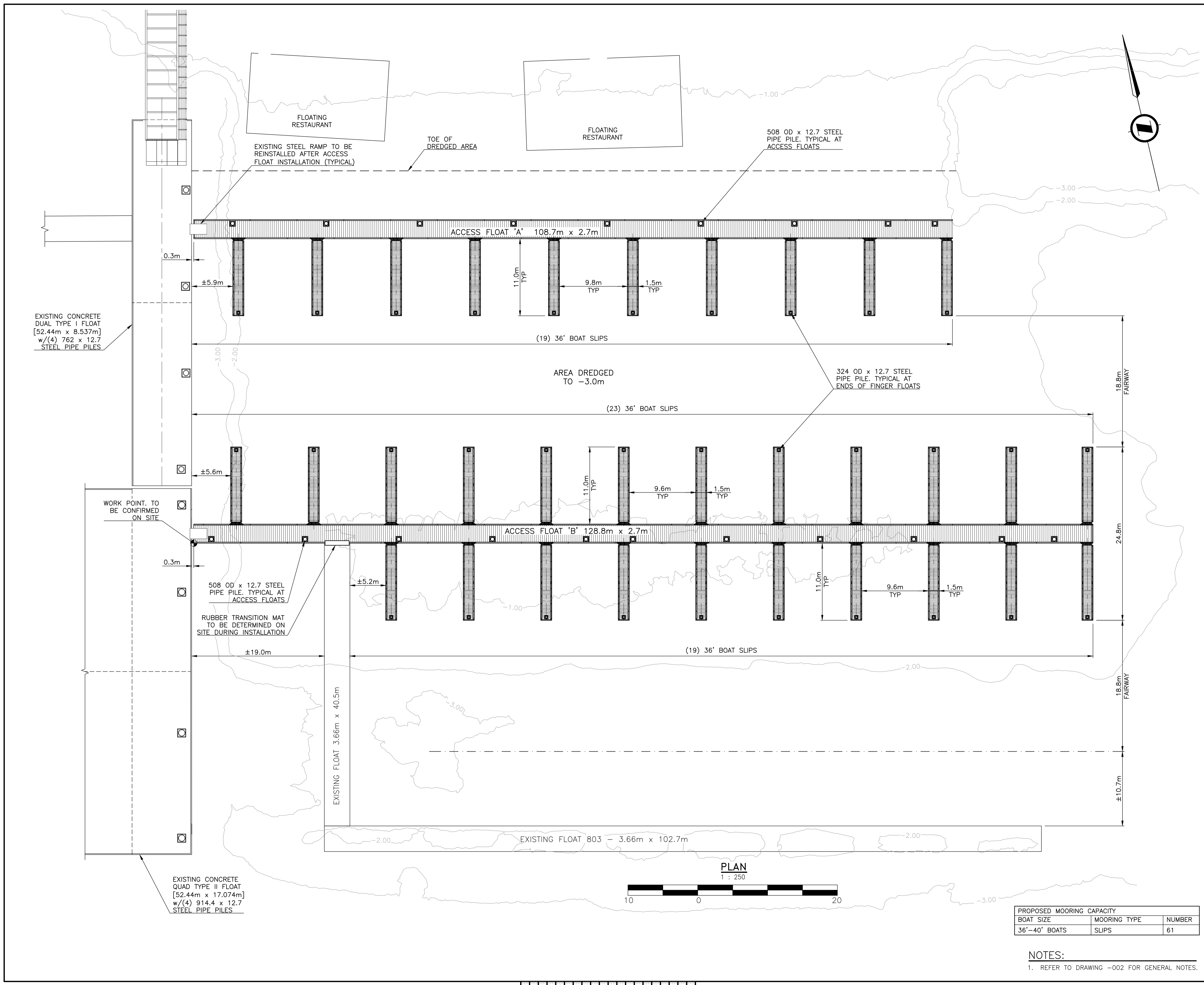
Project title/Titre du projet
STEVESTON GULF SITE

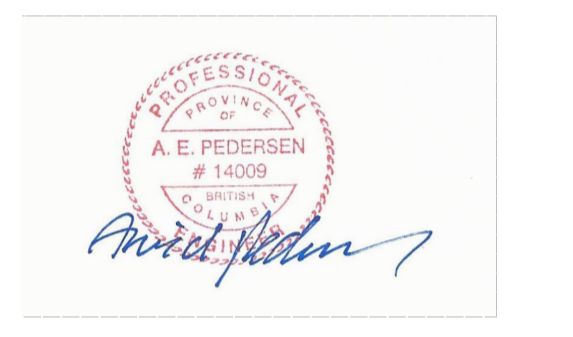
Approved by/Approve par
A.P.
Designed by/Concept par
A.P.
Drawn by/Dessine par
PDM
PWGSC Project Manager/Administrateur de Projets TPFGC

PWGSC, Architectural and Engineering Resources Manager/
Ressources Architectural et de Directeur d'Ingénierie, TPFGC
VJA
Client/client
VJA

Drawing title/Titre du dessin
FLOAT PLAN

Project No./No. du projet 220127	Sheet/Feuille 003 OF	Revision no./La Révision no. 1
--	-----------------------------------	--





DO NOT SCALE DRAWINGS

Revision/Revision	Description/Description	Date/Date
1	ISSUED FOR TENDER	21/08/11

Fisheries & Oceans Canada
Small Craft Harbours Branch
Pacific Division
200 - 401 Burrard Street
Vancouver, Canada, V6C 3S4

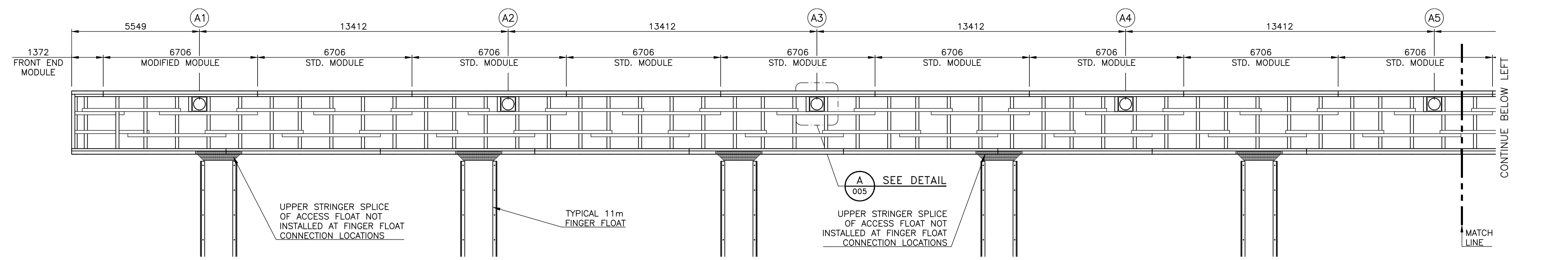
Project title/Titre du projet

STEVESTON GULF SITE

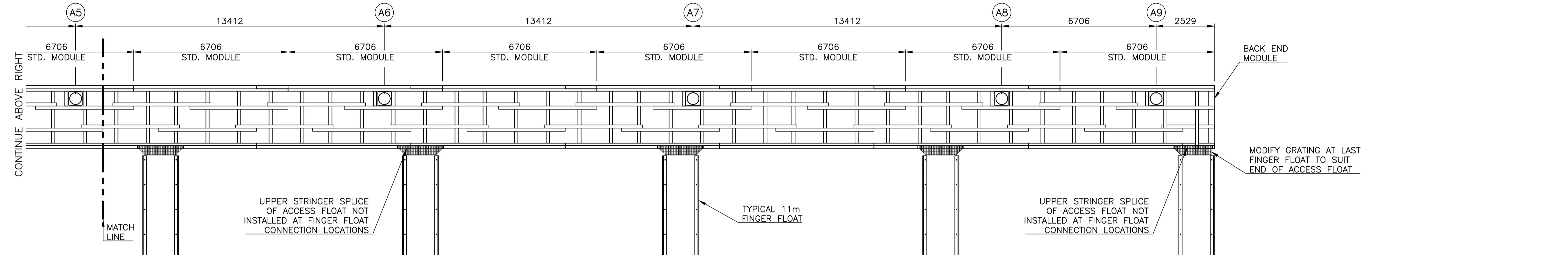
Approved by/Approuvé par
A.P.
Designed by/Concept par
A.P.
Drawn by/Dessiné par
PDM
PWSC Project Manager/Administrateur de Projets TPSCG
PWSC, Architectural and Engineering Resources Manager/
Ressources Architectural et de Directeur d'Ingénierie, TPSCG
Client/client
VJA
Drawing title/Titre du dessin

ACCESS FLOATS
PILE PLAN

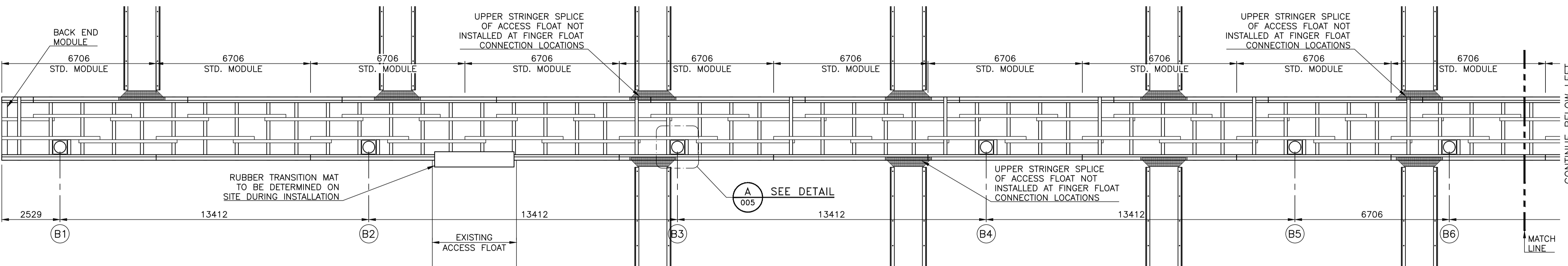
Project No./No. du projet 220127	Sheet/Feuille 004 OF	Revision no./ La Révision no. 1
--	-----------------------------------	--



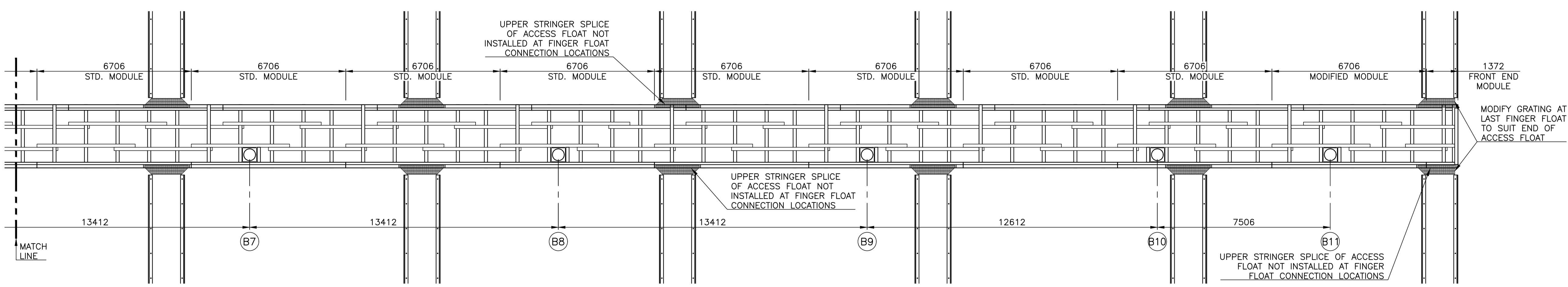
ACCESS FLOAT 'A' [WEST END]
1 : 100



ACCESS FLOAT 'A' [EAST END]
1 : 100



ACCESS FLOAT 'B' [WEST END]
1 : 100



ACCESS FLOAT 'B' [EAST END]
1 : 100

NOTES:
1. REFER TO DRAWING -002 FOR GENERAL NOTES.



DO NOT SCALE DRAWINGS

Revision/	Description/Description	Date/Date
1	ISSUED FOR TENDER	21/08/11

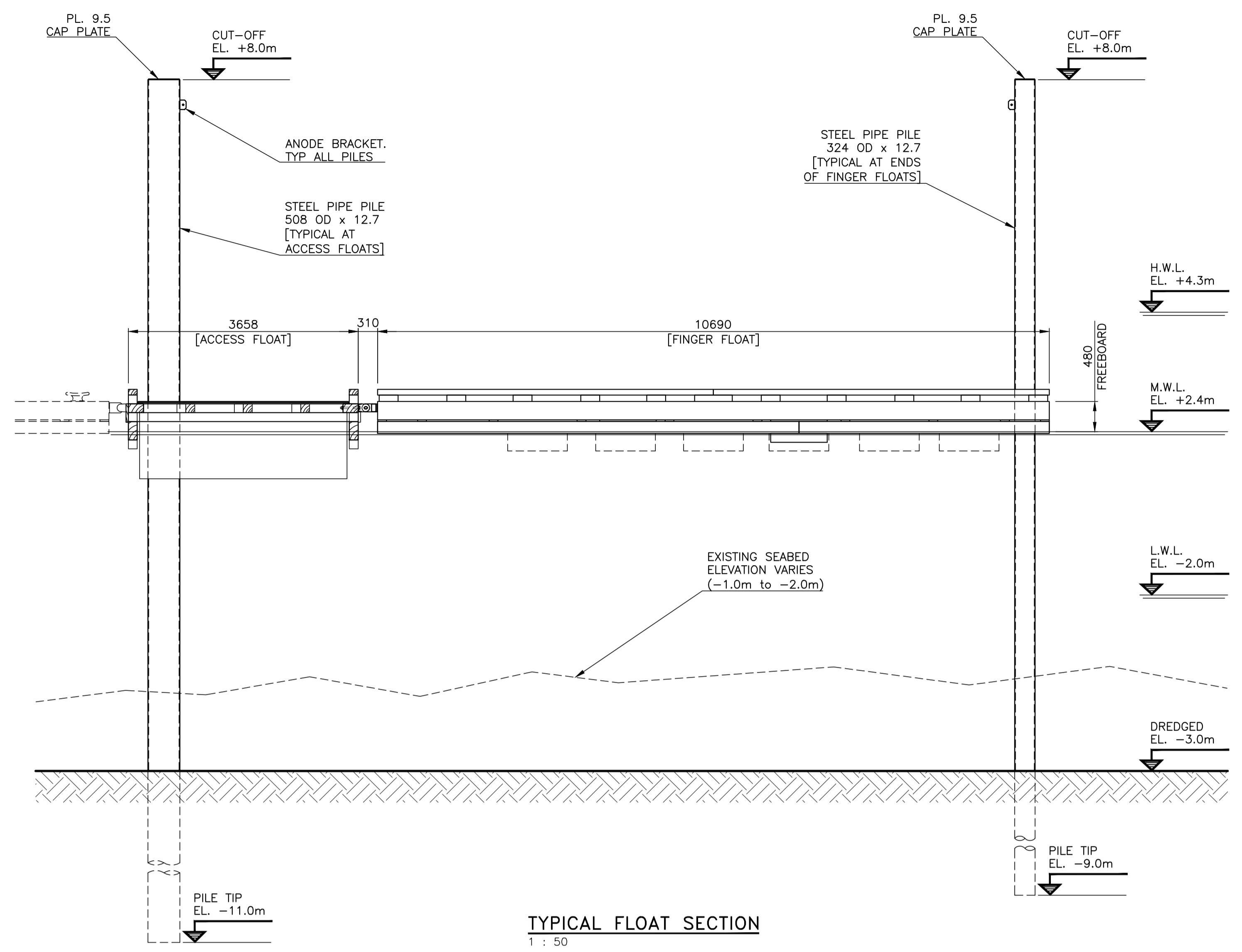
Client/client
**Fisheries & Oceans Canada
Small Craft Harbours Branch
Pacific Division**
200 - 401 Burrard Street
Vancouver, Canada, V6C 3S4

Project title/Titre du projet
STEVESTON GULF SITE

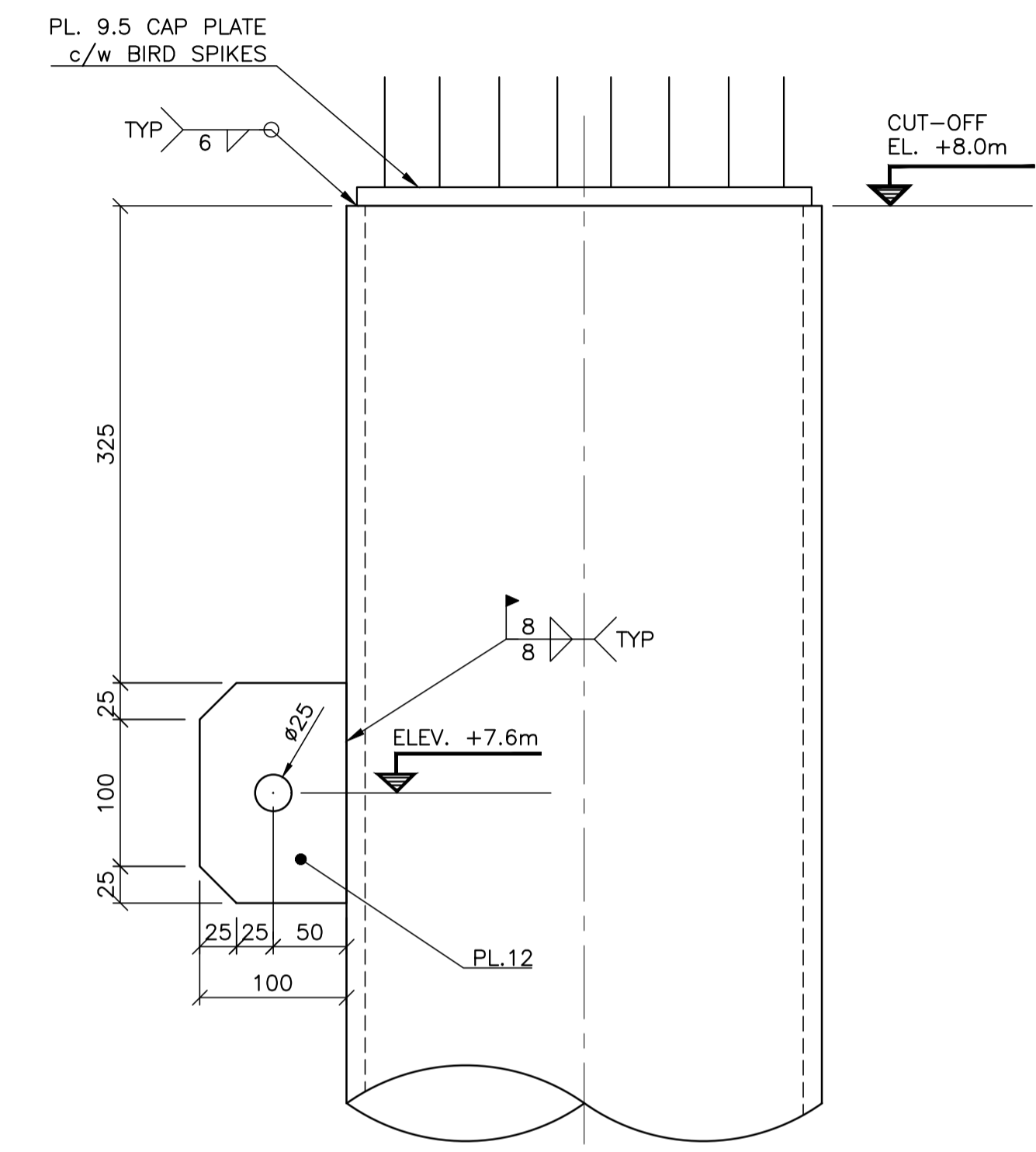
Approved by/Approve par
A.P.
Designed by/Concept par
A.P.
Drawn by/Dessine par
PDM
PWGSC Project Manager/Administrateur de Projets TPSCG
PWGSC, Architectural and Engineering Resources Manager/
Ressources Architectural et de Directeur d'Ingénierie, TPSCG
VJA
Client/client
Drawing title/Titre du dessin

**TIMBER FLOATS
SECTIONS AND DETAILS**

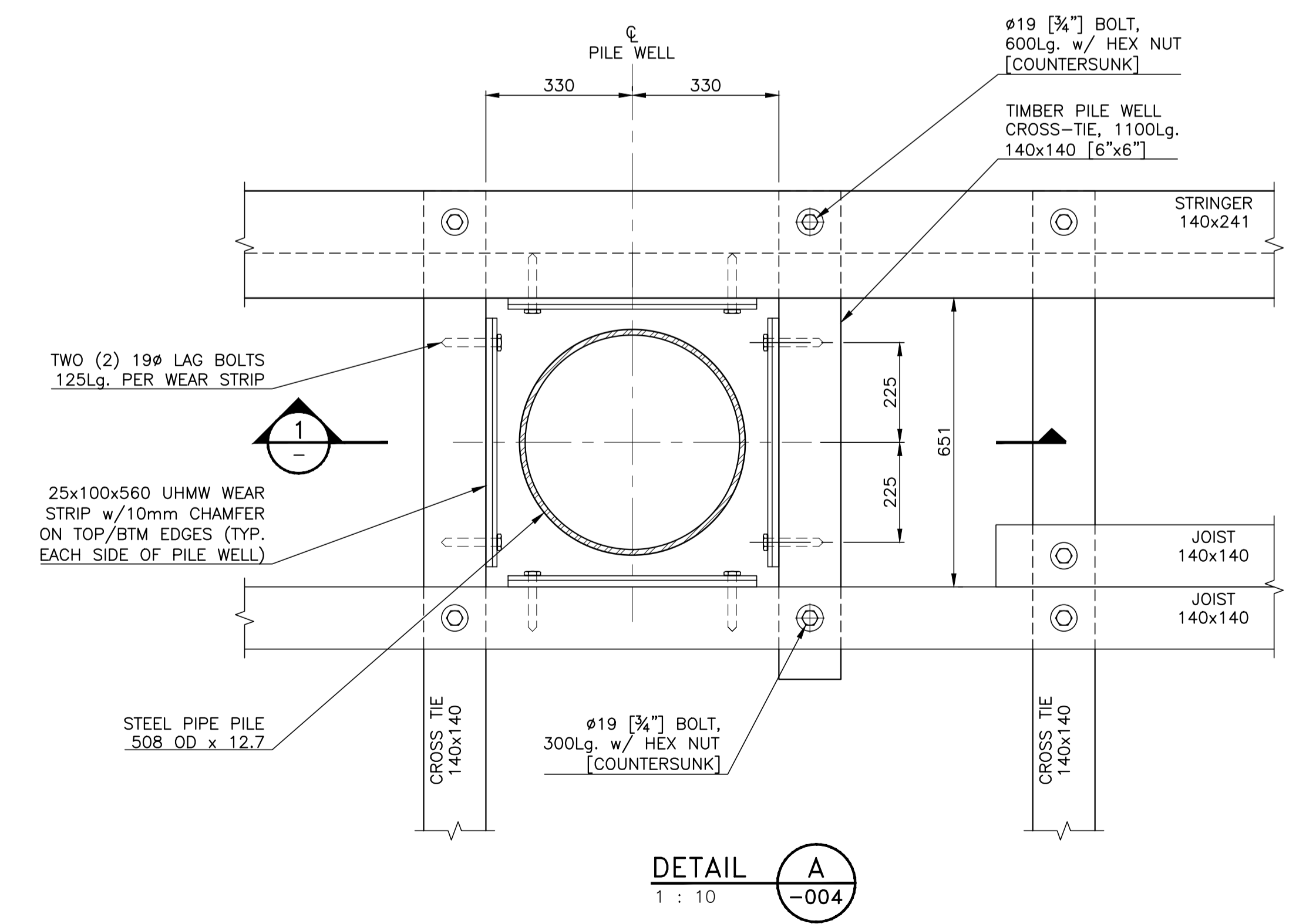
Project No./No. du projet	Sheet/Feuille	Revision no./La Révision no.
220127	005 OF	1



TYPICAL FLOAT SECTION
1 : 50

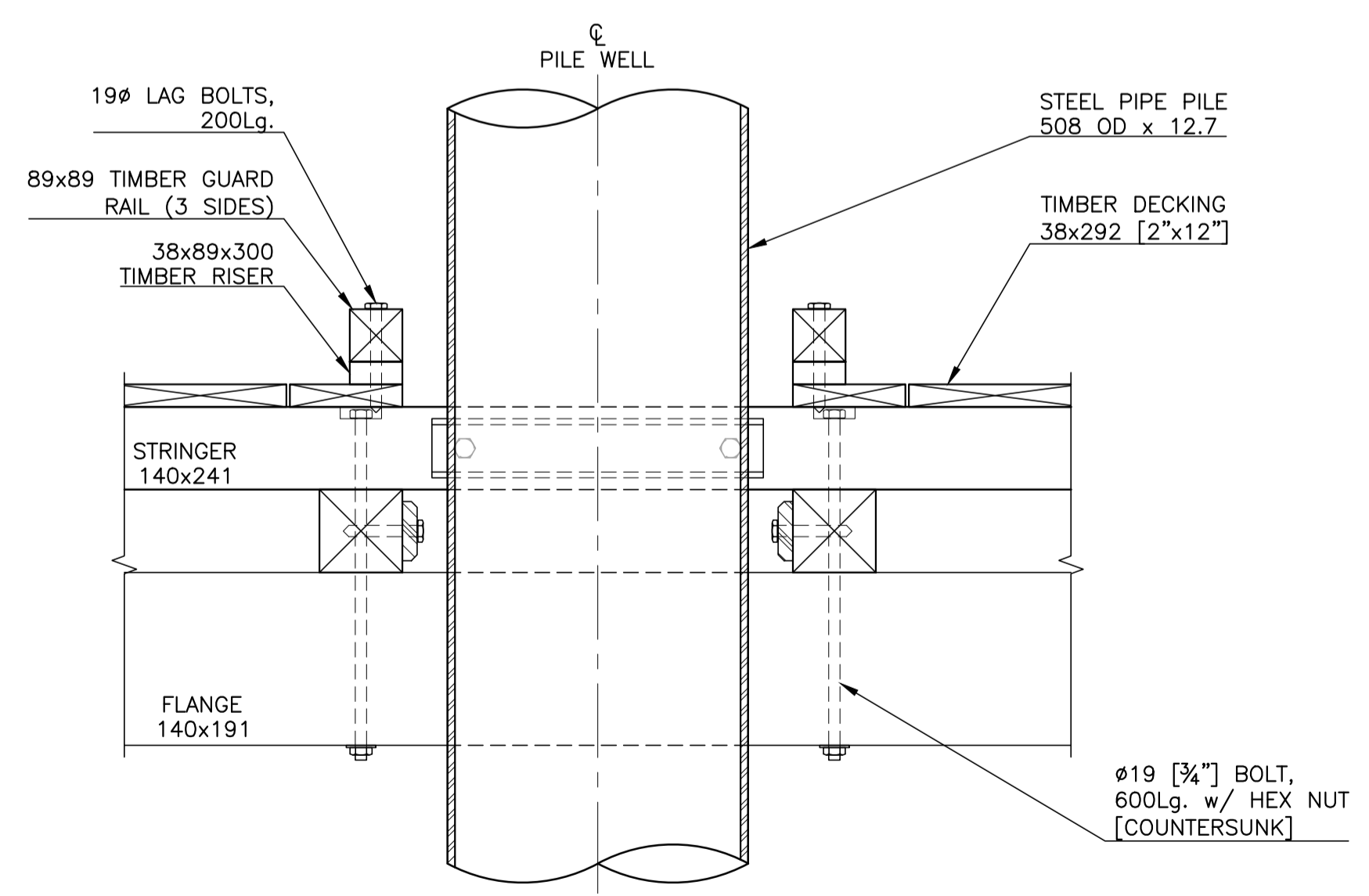


TOP OF PILE DETAIL
1 : 4



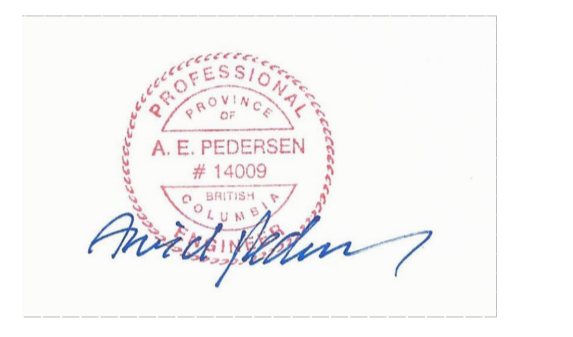
DETAIL A
1 : 10
-004

[DECKING, TIE RAIL AND GUARDRAIL NOT SHOWN FOR CLARITY]



SECTION 1
1 : 10

NOTES:
1. REFER TO DRAWING -002 FOR GENERAL NOTES.



DO NOT SCALE DRAWINGS

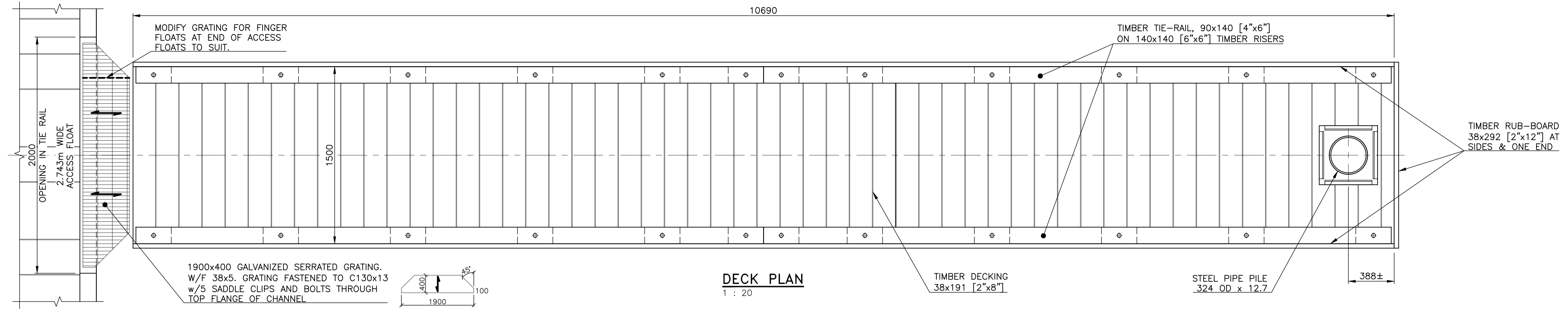
Revision/	Description/Description	Date/Date
1	ISSUED FOR TENDER	21/08/11

Fisheries & Oceans Canada
Small Craft Harbours Branch
Pacific Division
200 - 401 Burrard Street
Vancouver, Canada, V6C 3S4

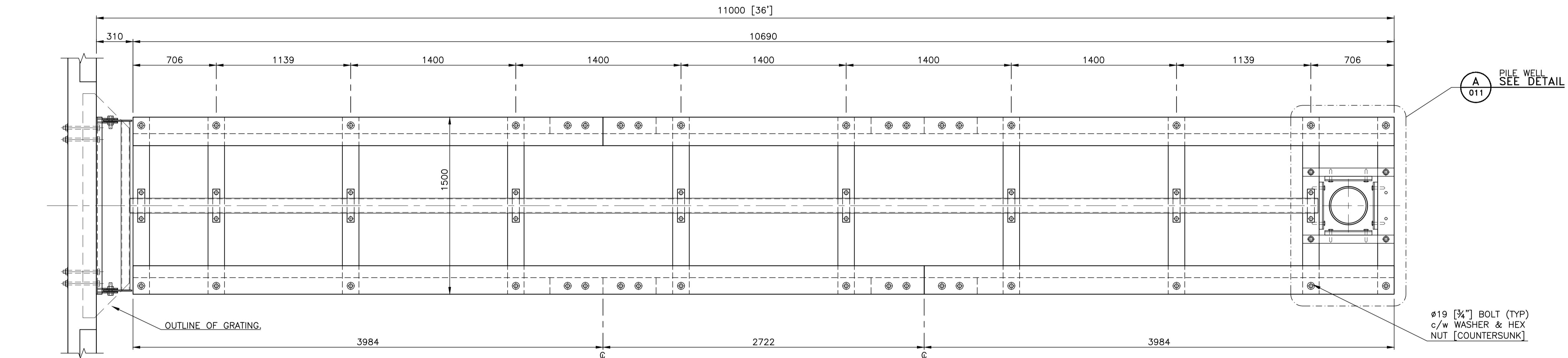
Project title/Titre du projet
STEVESTON GULF SITE

Approved by/Approve par
A.P.
Designed by/Concept par
A.P.
Drawn by/Dessine par
PDM
PWGSC Project Manager/Administrateur de Projets TPSCG
PWGSC, Architectural and Engineering Resources Manager/
Ressources Architectural et de Directeur d'Ingénierie, TPSCG
Client/client
VJA
Drawing title/Titre du dessin

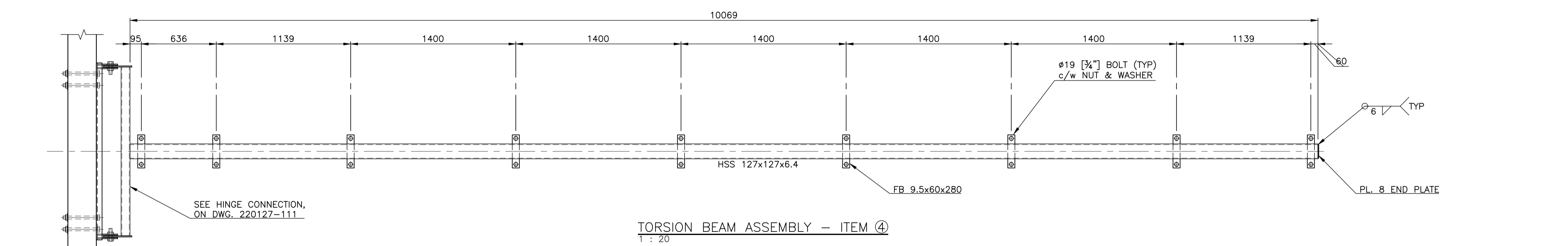
Project No./No. du projet 220127	Sheet/Feuille 010 OF	Revision no./ La Révision no. 1
--	-----------------------------------	--



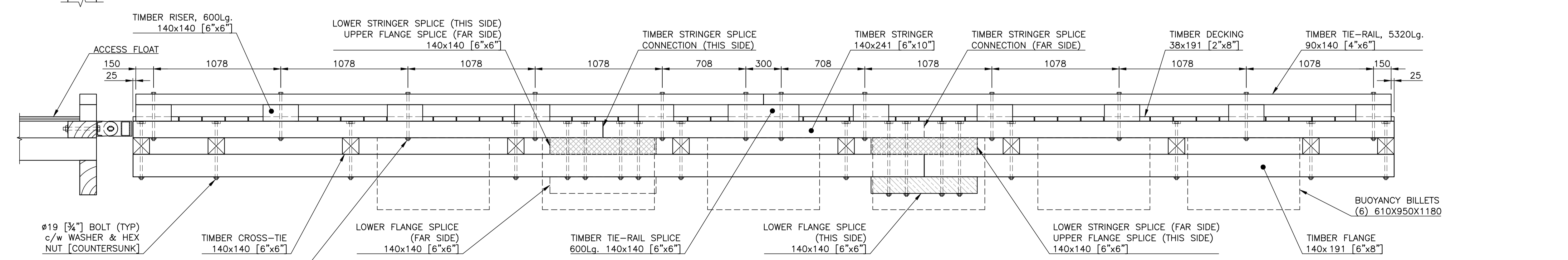
DECK PLAN
1 : 20



SUB-STRUCTURE PLAN
1 : 20

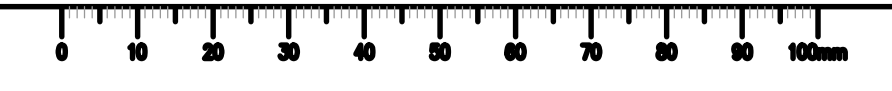


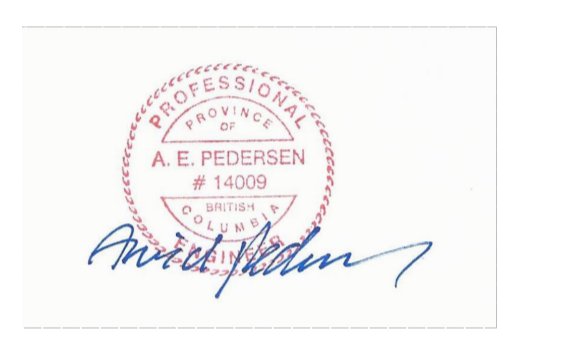
TORSION BEAM ASSEMBLY - ITEM ④
1 : 20



ELEVATION
1 : 20

NOTES:
1. REFER TO DRAWING -002 FOR GENERAL NOTES.





DO NOT SCALE DRAWINGS

Revision/	Description/Description	Date/Date
1	ISSUED FOR TENDER	21/08/11

Fisheries & Oceans Canada
Small Craft Harbours Branch
Pacific Division
200 - 401 Burrard Street
Vancouver, Canada, V6C 3S4

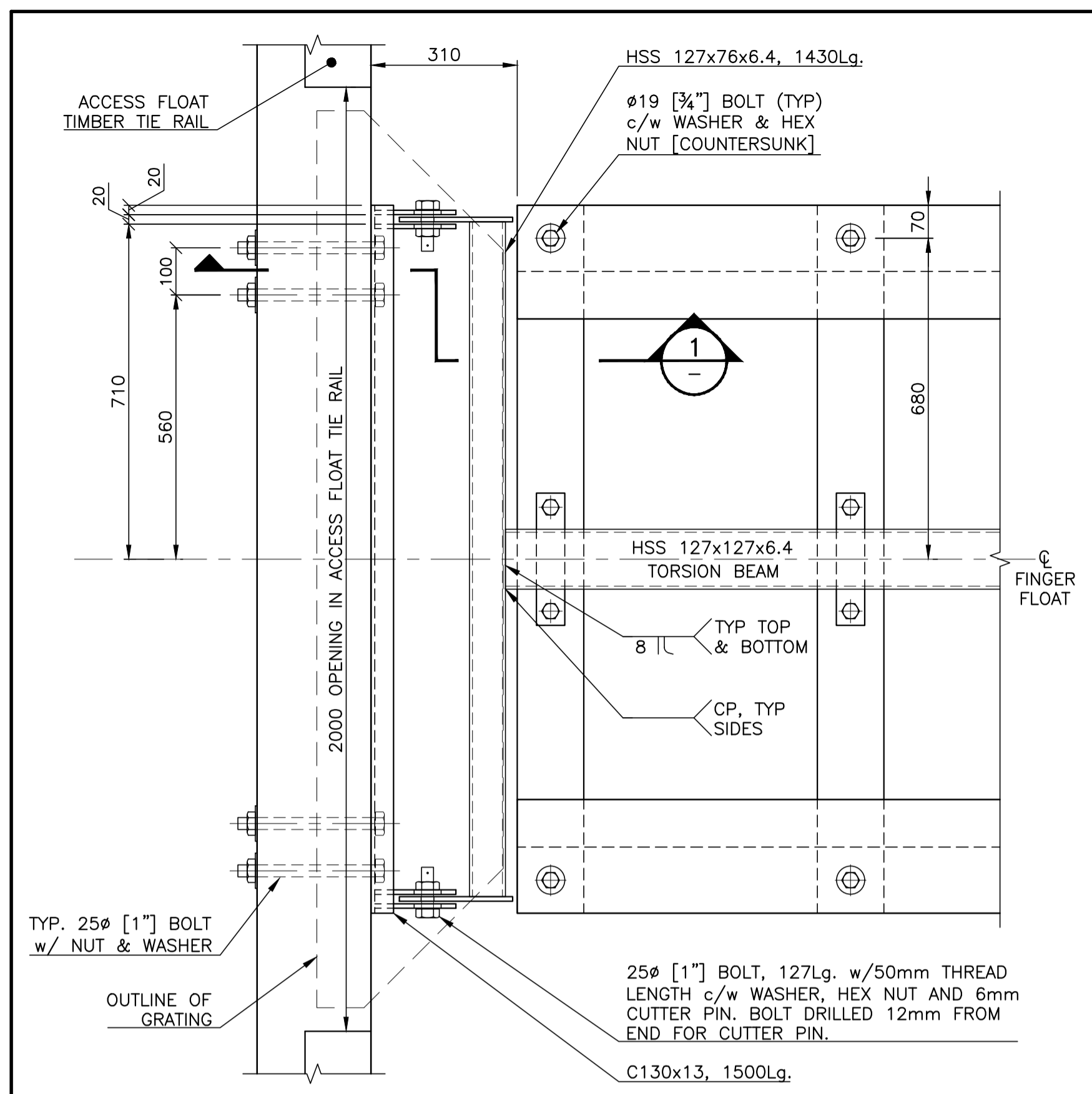
Project title/Titre du projet

STEVESTON GULF SITE

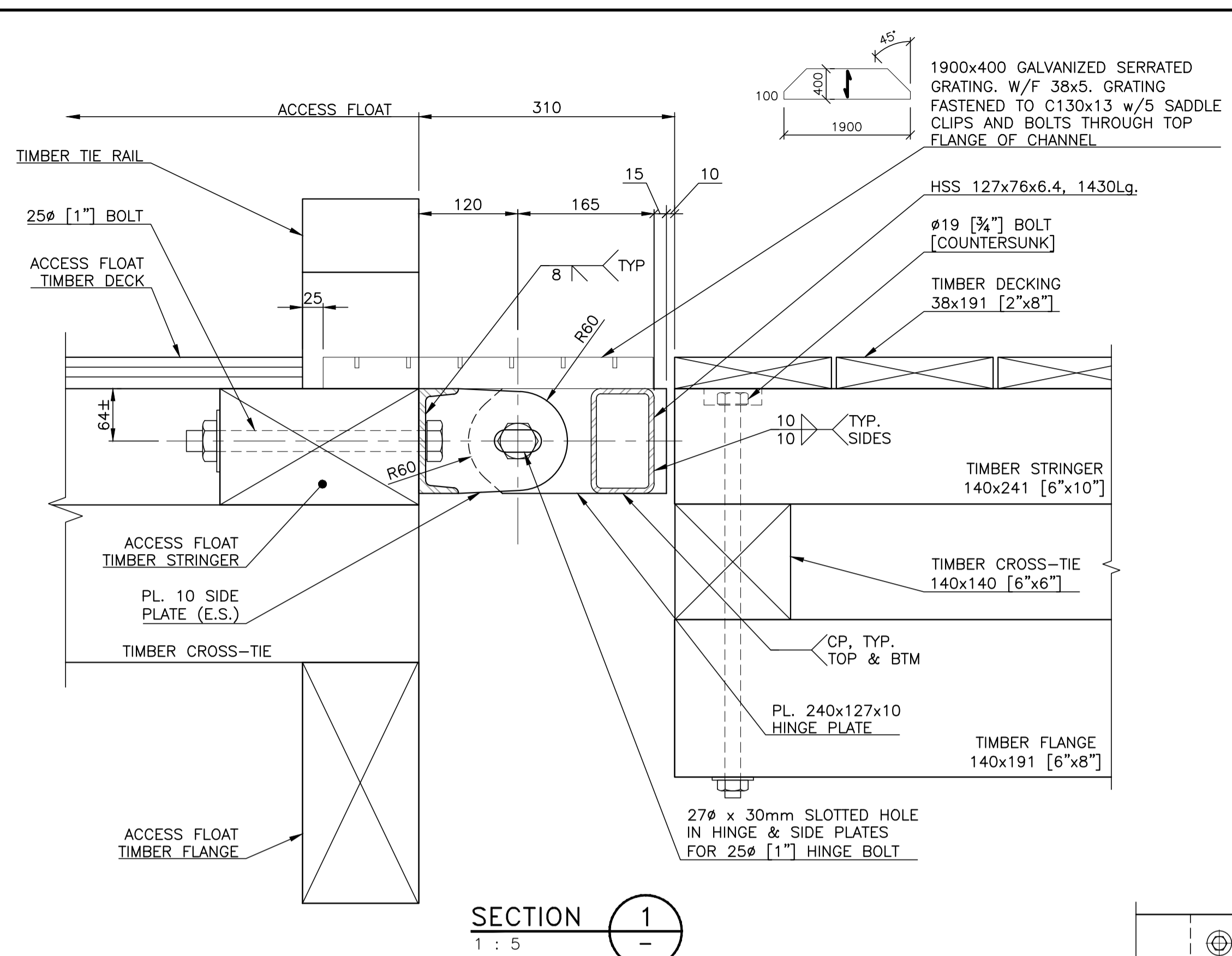
Approved by/Approuvé par
A.P.
Designed by/Concept par
A.P.
Drawn by/Dessiné par
PDM
PWGSC Project Manager/Administrateur de Projets TPSCG
PWGSC, Architectural and Engineering Resources Manager/
Ressources Architectural et de Directeur d'Ingénierie, TPSCG
Client/client
VJA
Drawing title/Titre du dessin

11.0m [36'] FINGER FLOAT
SECTIONS AND DETAILS

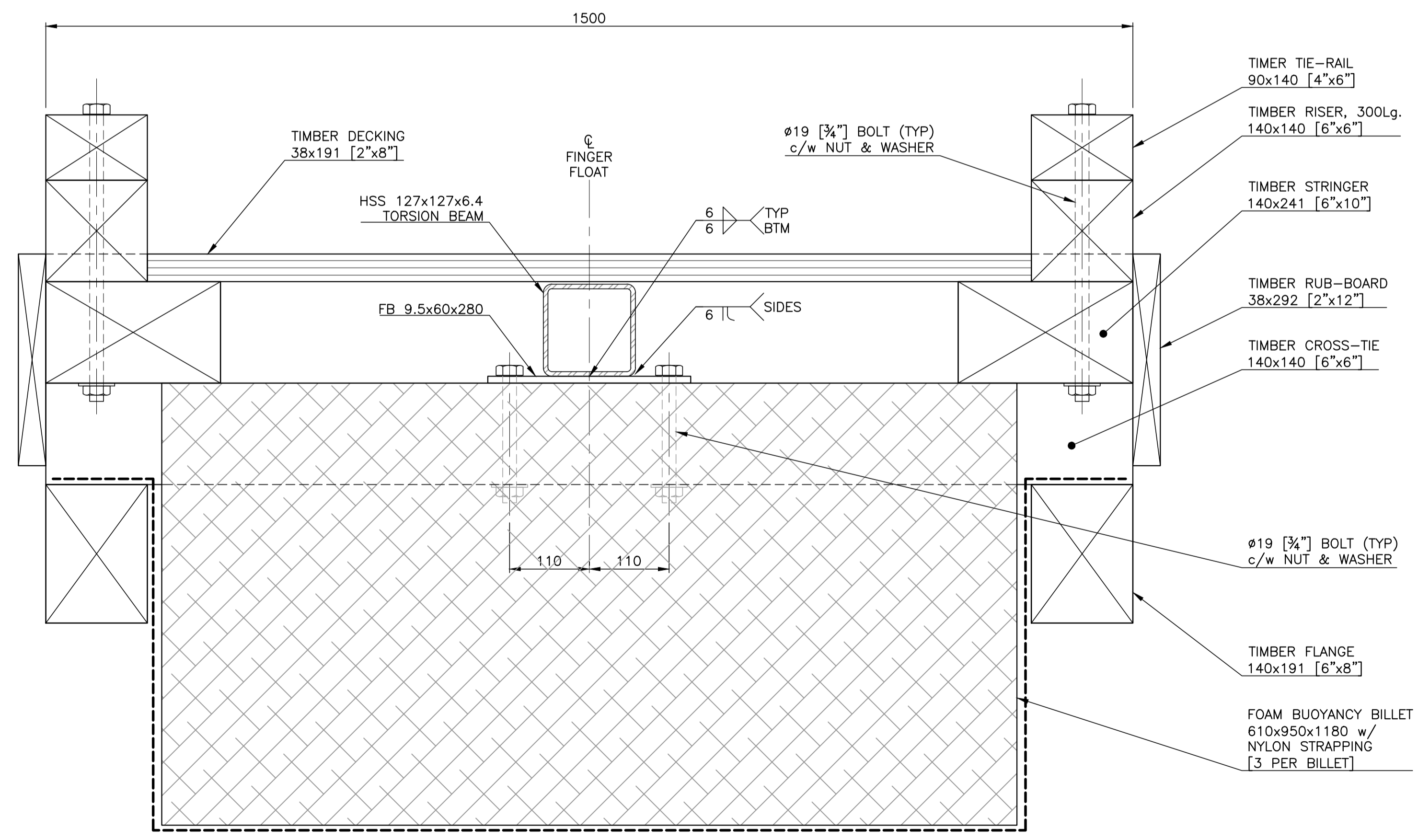
Project No./No. du projet	Sheet/Feuille	Revision no./La Révision no.
220127	011 OF	1



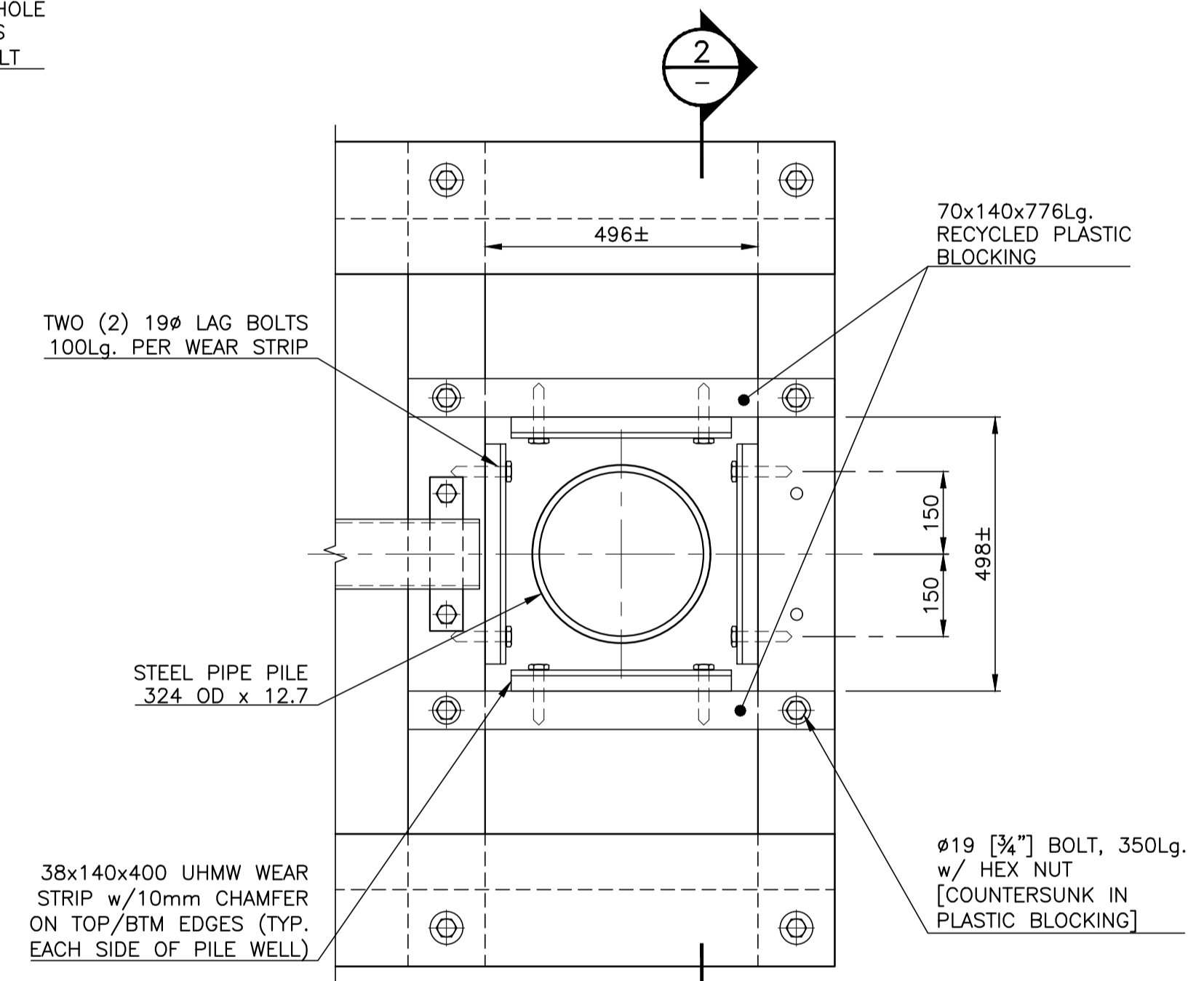
HINGE CONNECTION TO ACCESS FLOAT
1 : 10
[TIMBER DECKING, RUB-BOARD, TIE-RAIL AND GRATING NOT SHOWN FOR CLARITY]



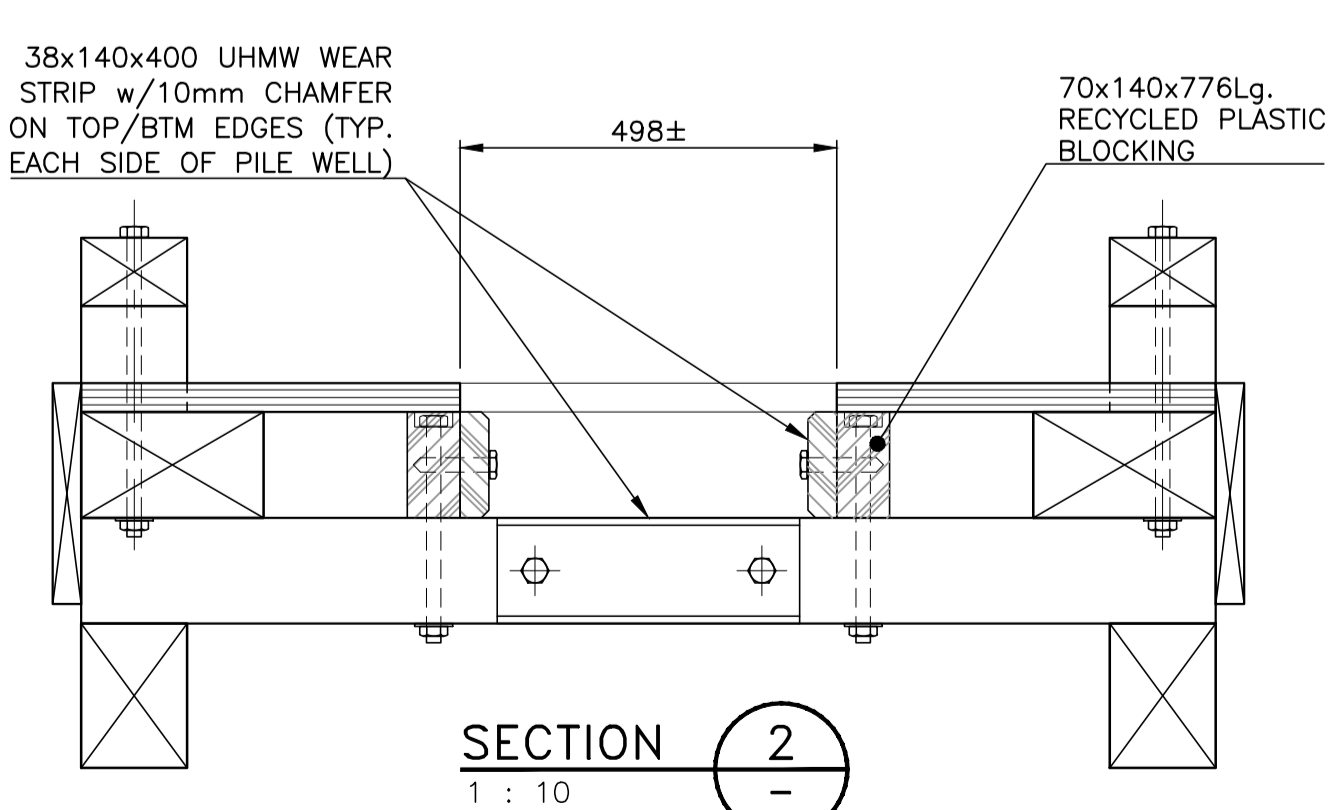
SECTION 1
1 : 5
[FINGER FLOAT TIE-RAIL NOT SHOWN FOR CLARITY]



TYPICAL CROSS-SECTION
1 : 5

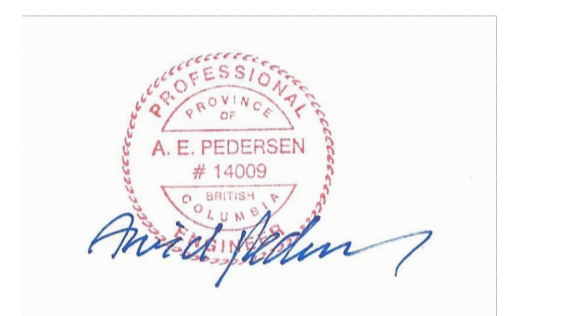


DETAIL A
1 : 10
010



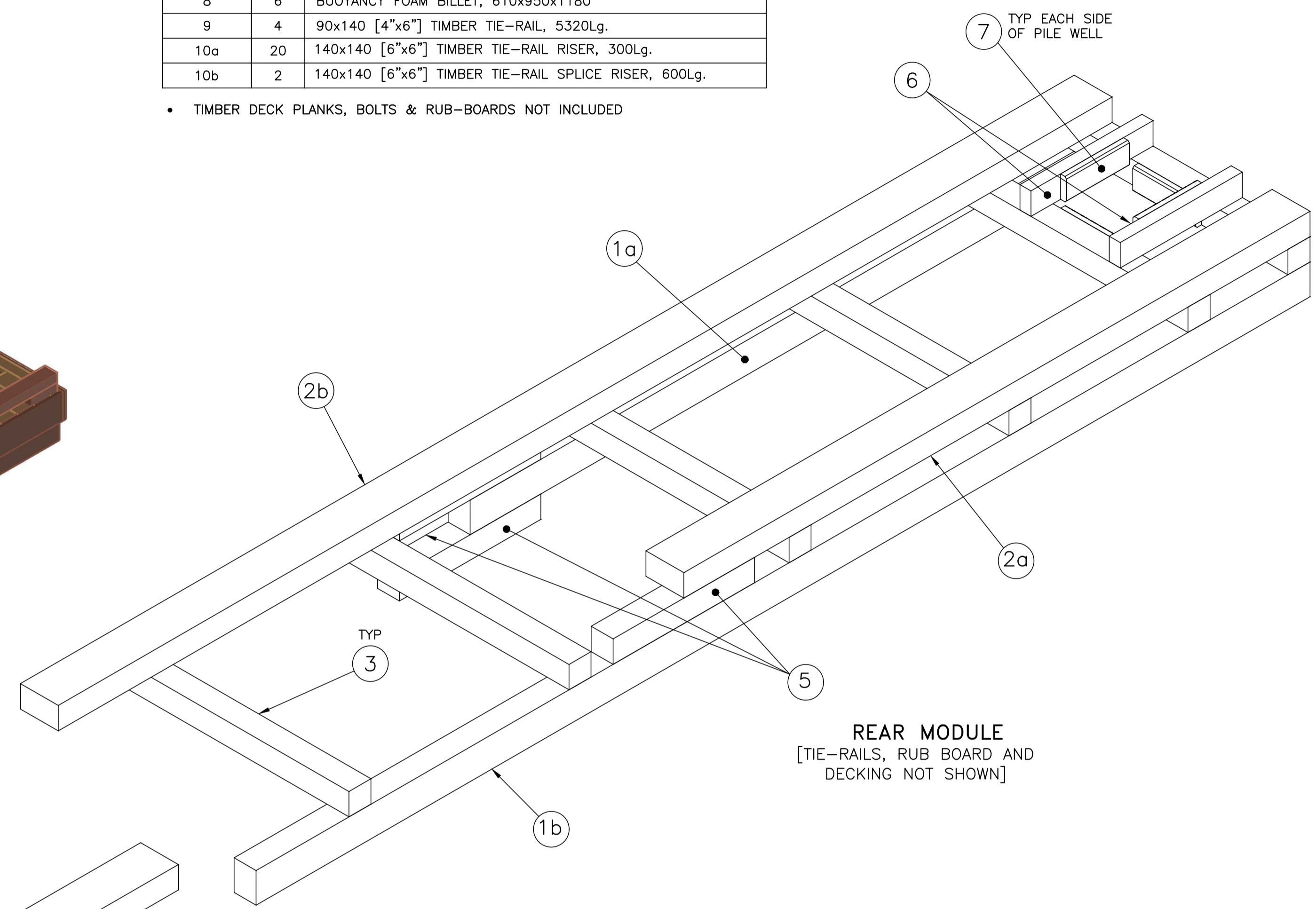
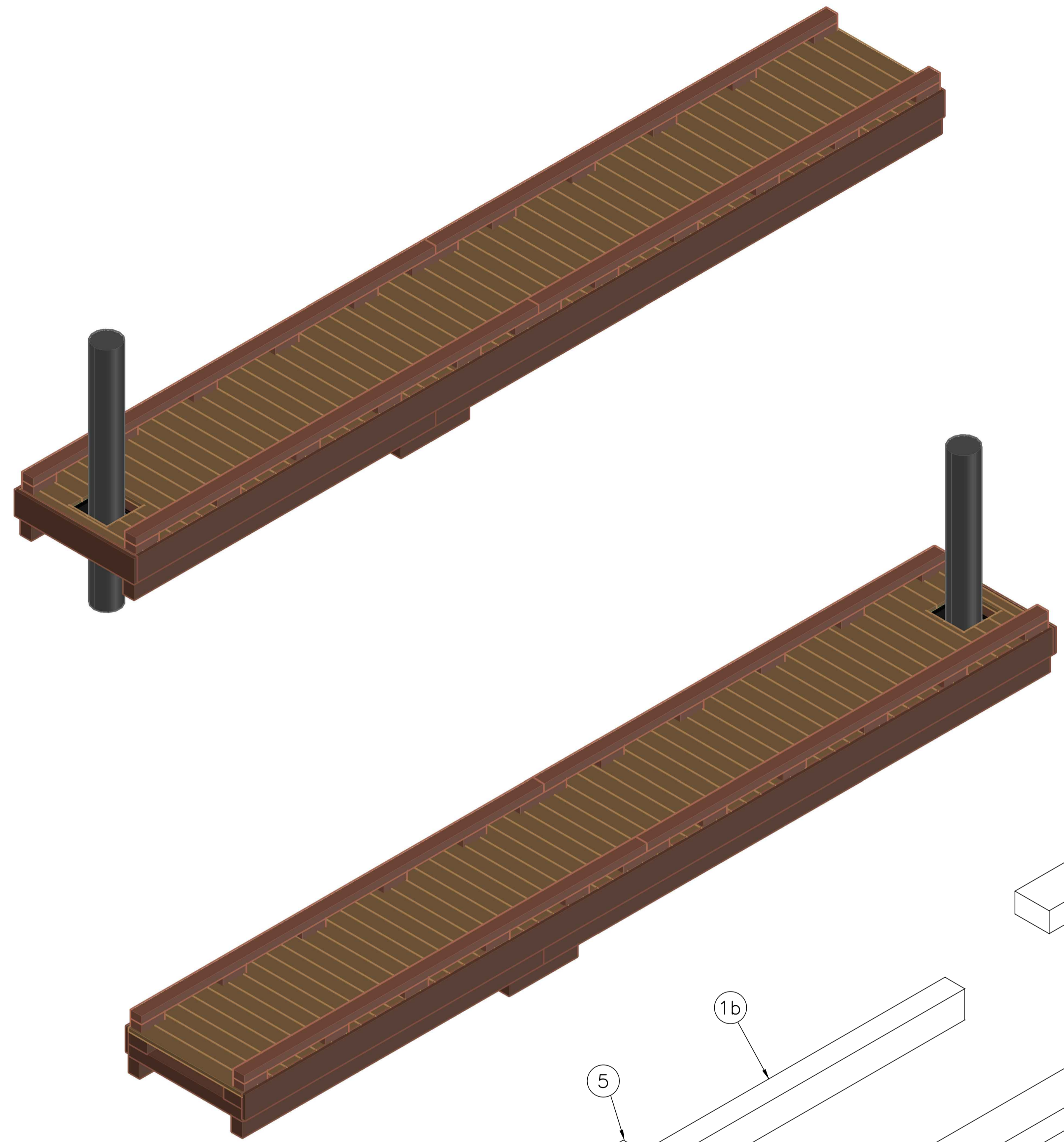
SECTION 2
1 : 10

NOTES:
1. REFER TO DRAWING -002 FOR GENERAL NOTES.

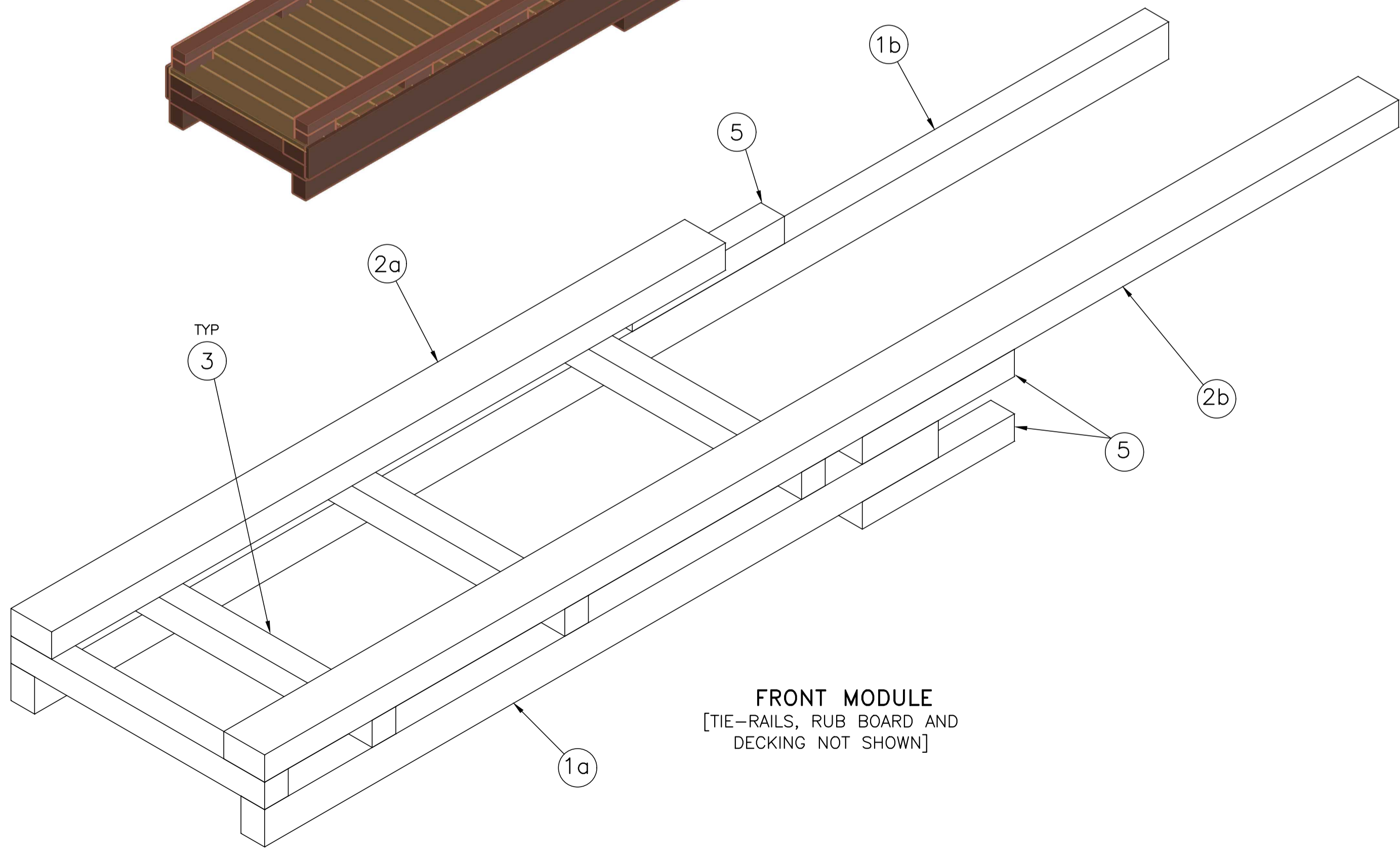


ITEM LIST		
ITEM #	QTY.	DESCRIPTION
1a	2	140x191 [6"x8"] TIMBER FLANGE, 3984Lg
1b	2	140x191 [6"x8"] TIMBER FLANGE, 6706Lg
2a	2	140x241 [6"x10"] TIMBER STRINGER, 3984Lg
2b	2	140x241 [6"x10"] TIMBER STRINGER, 6706Lg
3	10	140x140 [6"x6"] TIMBER CROSS-TIE, 1500Lg
4	1	TORSION BEAM ASSEMBLY, SEE DRAWINGS -010 AND -011
5	6	140x140 [6"x6"] FLANGE/STRINGER SPLICE, 900Lg
6	2	70x140 RECYCLED PLASTIC BLOCKING, 776Lg
7	4	38x140x400 UHMW WEAR STRIP (10mm CHAMFER T&B EDGES)
8	6	BUOYANCY FOAM BILLET, 610x950x1180
9	4	90x140 [4"x6"] TIMBER TIE-RAIL, 5320Lg.
10a	20	140x140 [6"x6"] TIMBER TIE-RAIL RISER, 300Lg.
10b	2	140x140 [6"x6"] TIMBER TIE-RAIL SPLICE RISER, 600Lg.

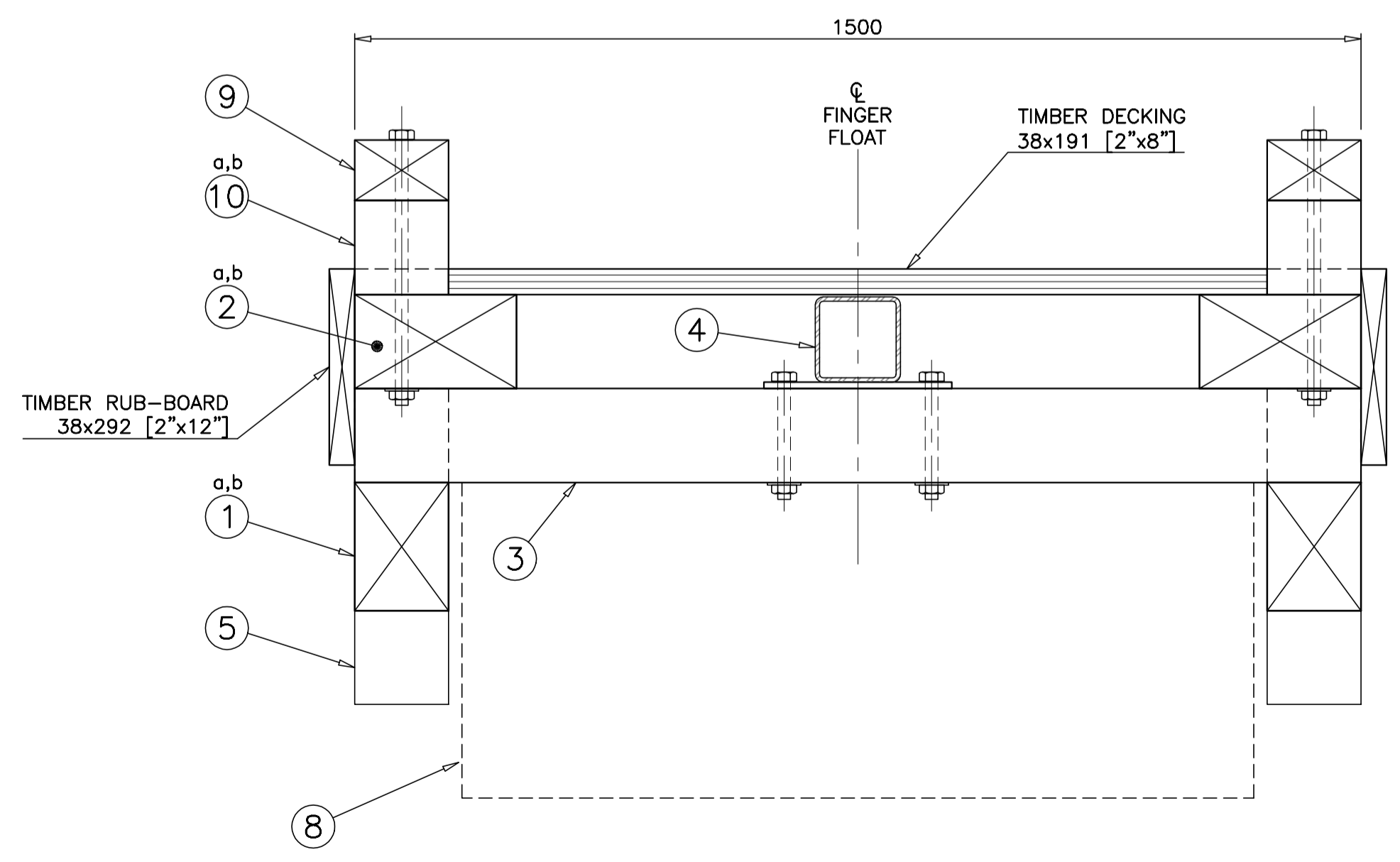
• TIMBER DECK PLANKS, BOLTS & RUB-BOARDS NOT INCLUDED



REAR MODULE
[TIE-RAILS, RUB BOARD AND DECKING NOT SHOWN]



FRONT MODULE
[TIE-RAILS, RUB BOARD AND DECKING NOT SHOWN]



TYPICAL CROSS-SECTION
1 : 8

NOTES:
1. REFER TO DRAWING -002 FOR GENERAL NOTES.

DO NOT SCALE DRAWINGS

Revision/	Description/Description	Date/Date
1	ISSUED FOR TENDER	21/08/11

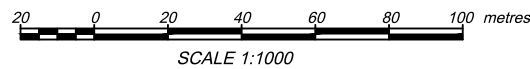
Fisheries & Oceans Canada
Small Craft Harbours Branch
Pacific Division
200 - 401 Burrard Street
Vancouver, Canada, V6C 3S4

Project title/Titre du projet
STEVESTON GULF SITE

Approved by/Approve par
A.P.
Designed by/Concept par
A.P.
Drawn by/Dessine par
PDM
PWGSC Project Manager/Administrateur de Projets TPSCG
PWGSC, Architectural and Engineering Resources Manager/
Ressources Architectural et de Directeur d'Ingénierie, TPSCG
Client/client
VJA

Drawing title/Titre du dessin
11.0m [36'] FINGER FLOAT ASSEMBLY DETAILS

Project No./No. du projet	Sheet/Feuille	Revision no./La Révision no.
220127	012 OF	1



Fisheries and Oceans / Pêches et Océans

Small Craft Harbours Branch

DATE: JULY '98	APPROVED BY:	DRAWN BY: WSL
DATE: SEPT '20		REVISED J



STEVESTON HARBOUR, PARAMOUNT SITE
STEVESTON, B.C.

SITE PLAN	SH. 4 OF 10	DRAWING NUMBER STP-1
-----------	-------------	-------------------------