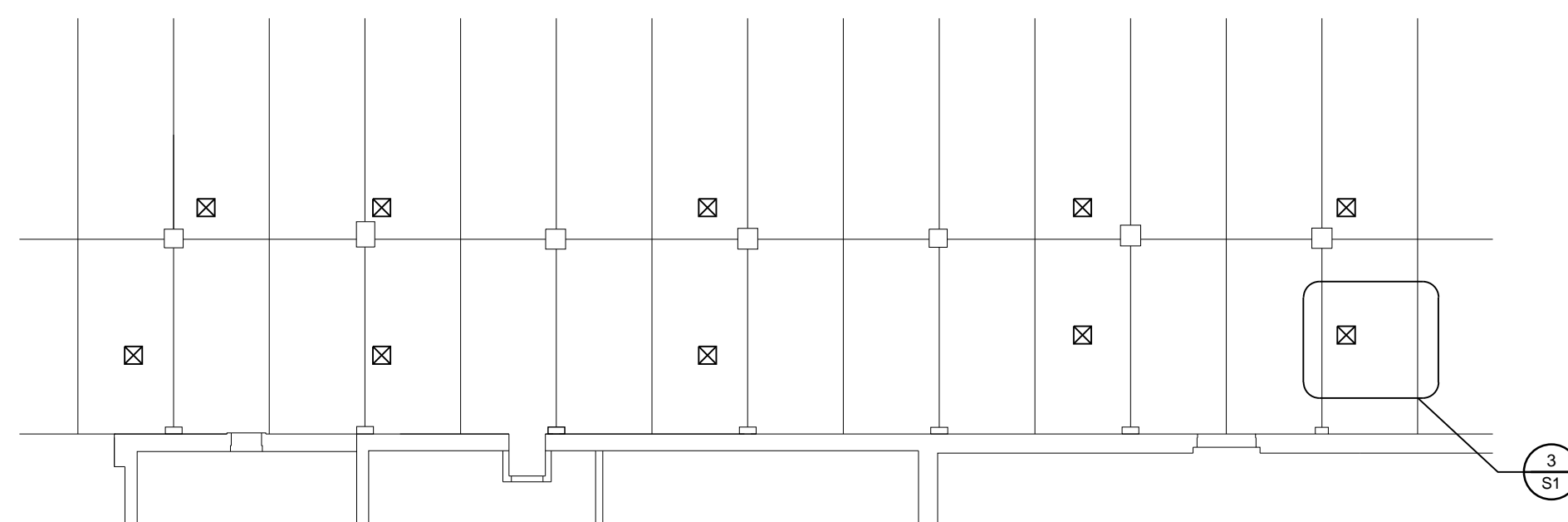
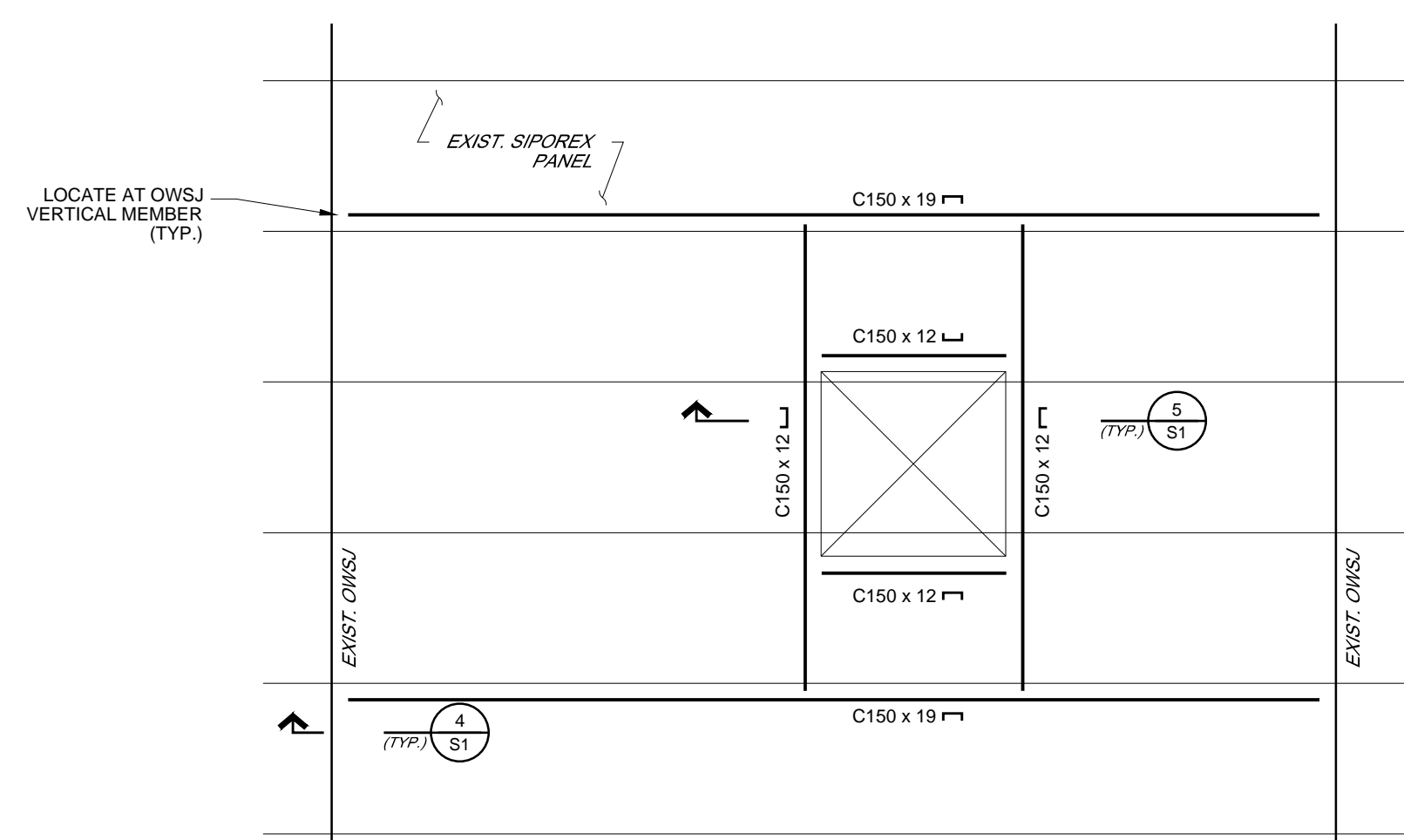


1 ROOF KEY PLAN
S1 SCALE: 1:500



2 PART ROOF PLAN - OPTION 2 (560 x 560 OPENINGS) (SEE ARCH. DWG.'S FOR LOCATIONS)
S1 SCALE: 1:200

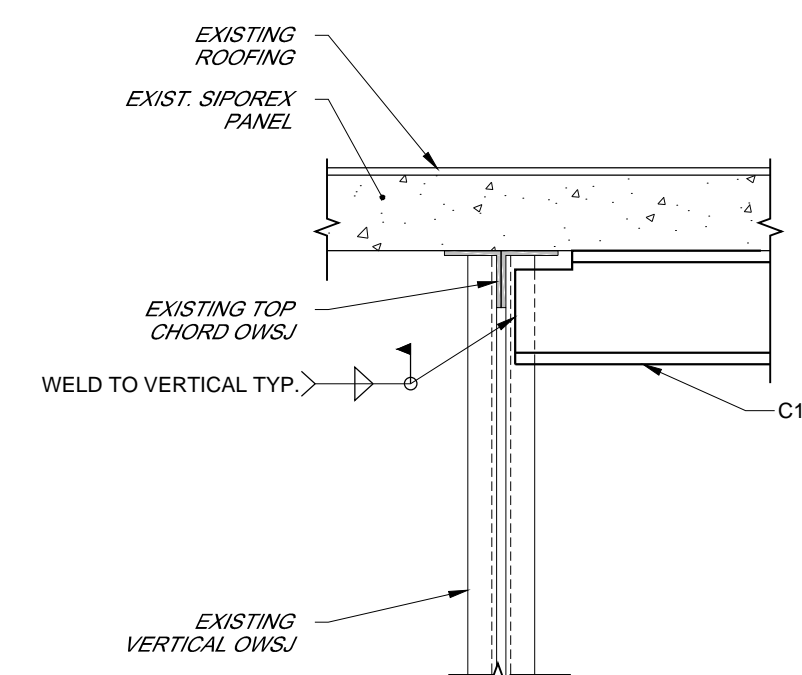


3 PLAN - ROOF OPENING OPTION 2
S1 SCALE: 1:50

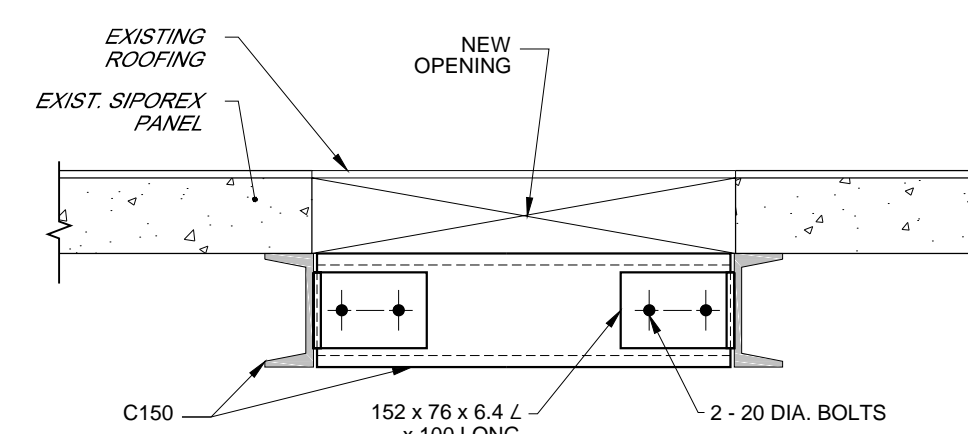
GENERAL NOTES:

STRUCTURAL STEEL:

- ALL STRUCTURAL STEEL SHALL CONFORM TO CSA G40.21-M88, GRADE 350W.
- ALL WELDING MATERIALS SHALL CONFORM TO CSA W48.06.
- WELDING SHALL CONFORM TO CSA W59-03 AND SHALL BE CARRIED OUT BY WELDERS QUALIFIED BY THE CANADIAN WELDING BUREAU.
- ALL BOLTS SHALL BE 3/4" DIA. HIGH TENSILE BOLTS CONFORMING TO ASTM A325.
- THE CONTRACTOR SHALL SUBMIT FOR REVIEW SHOP DRAWINGS OF THE STRUCTURAL STEEL, INCLUDING ERECTION AND SHOP DETAIL DRAWINGS.
- ALL STRUCTURAL STEEL SHALL BE SHOP-PRIMED WITH PRIMER CONFORMING TO CAN/CSB 1-40-97 "ANTI-CORROSIVE STRUCTURAL STEEL ALKYD PRIMER" AFTER ERECTION, APPLY TWO COATS OF GOOD-QUALITY ALKYD PAINT (COLOUR - GREY).
- THE CONTRACTOR SHALL VERIFY ALL DIMENSIONS ON SITE BEFORE THE START OF FABRICATION.
- ALL STRUCTURAL STEEL WORK SHALL CONFORM TO CSA S16-01.
- ALL NEW OPENING LOCATIONS TO BE SITE VERIFIED BY ENGINEER PRIOR TO DEMOLITION OF SIPOREX ROOF PANELS.



4 SECTION
S1 SCALE: 1:10



5 SECTION
S1 SCALE: 1:10

Canada

Public Works and Government Services Canada / Travaux publics et services gouvernementaux Canada
HEALTH CANADA / SANTÉ CANADA

ILG & ILG

ILG AND ILG INC
ARCHITECTURE & INTERIOR DESIGN
200 General Ave., Ottawa, Ontario K1Z 7W8
Phone: 613 231 2379
ILG.and.ILG@ArchitectsInteriorDesigners.com

Leibe Engineering Associates

Consulting Engineers / Ingenieurs-Conseils

22 Antares Drive, Suite 201
Nepean, Ontario, K2E 7Z6
tel: (613) 723-7765 fax: (613) 723-0095



Contractor to verify all dimensions & conditions on site and immediately notify the engineer of all discrepancies.

2	ISSUED FOR TENDER	2014/11/24
1	ISSUED FOR 99% COMPLETION	2014/09/29

revisions	description	date
A	detail no.	
B	no. du detail	
C	location drawing no. / sur dessin no.	
	C drawing no. / dessin no.	

project / projet
HEALTH CANADA OCCUPATIONAL HEALTH UNIT (OHU) MODERNIZATION PROJECT
51 CHARDON DRIVEWAY
TUNNEY'S PASTURE

drawing / dessin
OHU: ROOF OPENINGS - PLAN AND DETAILS

Designed By	Conçu par	
Date	(yyyy/mm/dd)	
Drawn By	PDM	Dessiné par
Date	2014/09/19	(yyyy/mm/dd)
Reviewed By	RL	Examiné par
Date	2014/09/23	(yyyy/mm/dd)
Approved By	Approuvé par	
Date	(yyyy/mm/dd)	
Tender	Soumission	
Project Manager	Administrateur de projets	
Project no.	No. du projet	
	H-018221	
Drawing no.	No. du dessin	
	S1	

