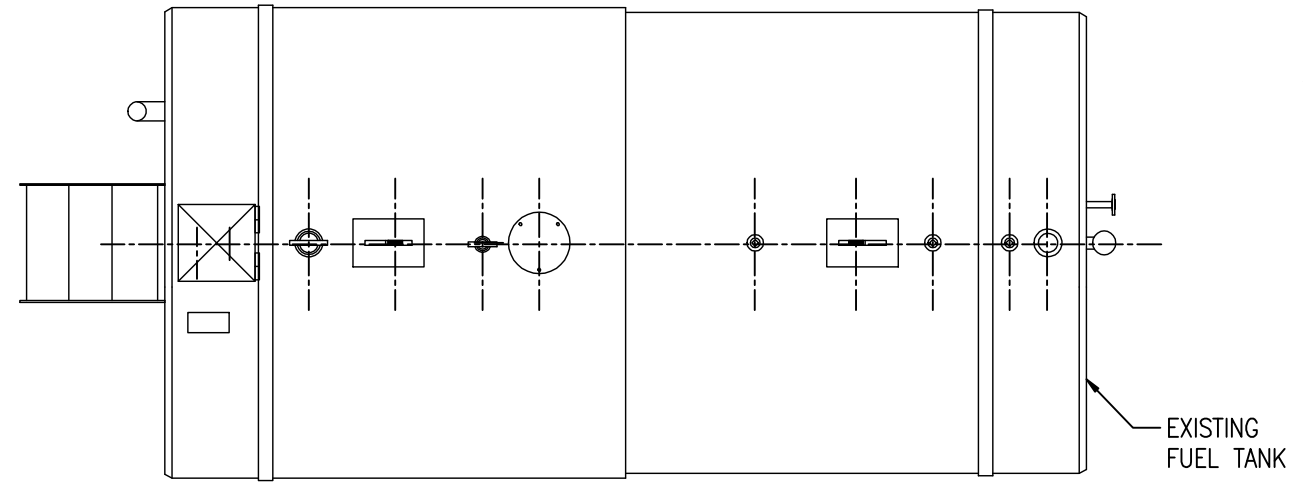
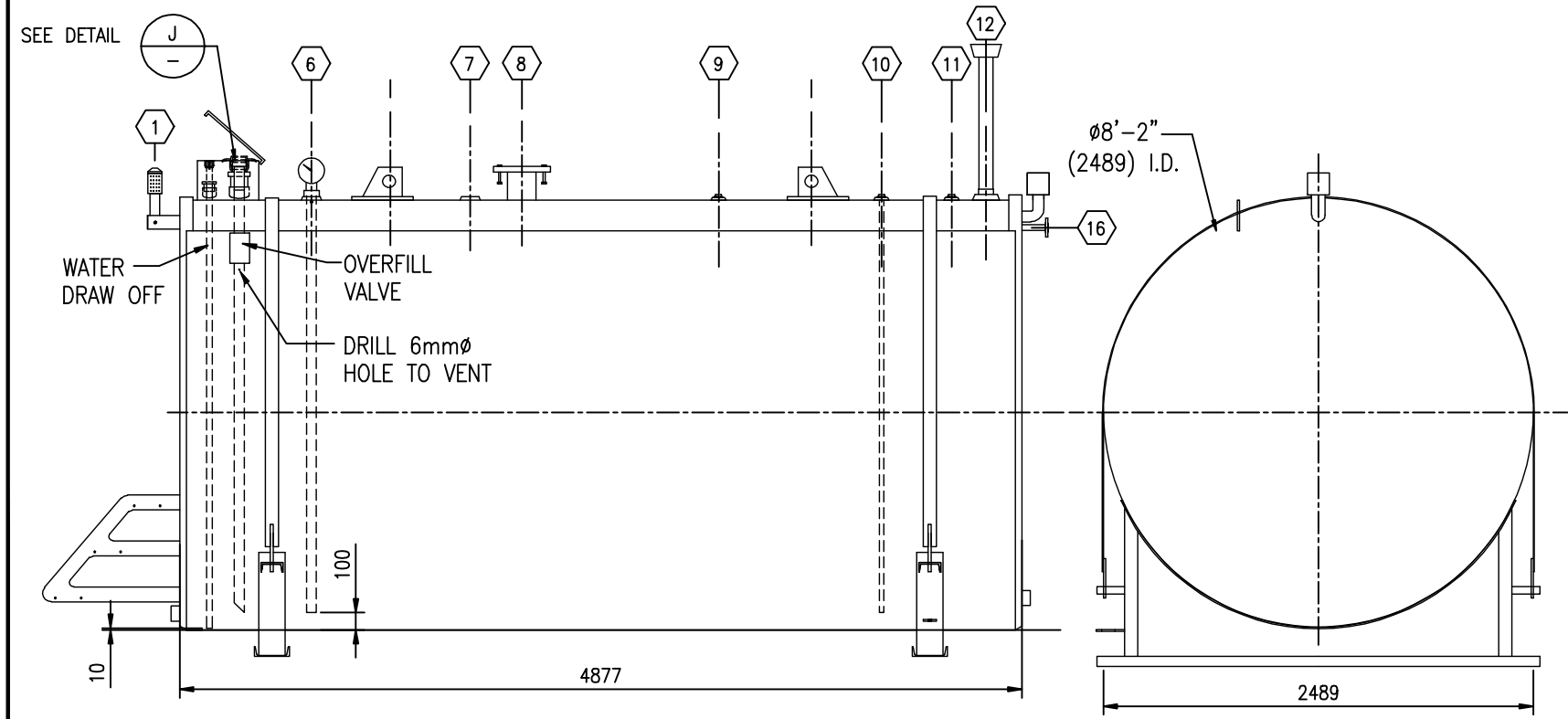


TYP. FILL/SPILL BOX DETAIL



TOP VIEW



ELEVATION: SIDE VIEW

ELEVATION: FRONT VIEW

**22,500L (5000GAL.) - MAIN TANK**  
 DOUBLE WALL STEEL, ULC-S601 STORAGE TANK  
 SCALE: 1:40

**NEW DIESEL STORAGE TANK FITTING SCHEDULE**

22,730L (5000 IGAL)  
 2489ø x 4877LG (75"øx16'LG)  
 ULC-S601 (DOUBLE-WALL VACUUM MONITORED)

- 1 INTERSTITIAL VACUUM GAUGE
- 2 100ø (4) FNPT FITTING c/w 100øX50ø (4"X2) D.T. BUSHING, 50ø (2) DROP PIPE, CLOSE NIPPLE, 50ø (2) TIGHT FILL CONNECTION AND DUST CAP (KAMLOK OR EQUAL), MORRISON OVERFILL VALVE C/W 3mm(1/8) HOLE DRILLED IN TOP TO VENT INTO TANK - FILL
- 3 DRAIN VALVE - SPRING LOADED PLUNGER TYPE
- 4 50ø (2) FNPT FITTING - C/W 50øX25ø(2"X1) D.T. BUSHING, 25ø(1) NIPPLE, MALE KAMLOK CONNECTION AND DUST CAP, AND 25ø(1) SCH. 40 STL DROP TUBE TO 10mm FROM TANK BOTTOM - WATER DRAW OFF
- 5 50ø (2) FNPT FITTING C/W 50øX40ø(2"X1 1/2) S.T. BUSHING, 40ø(1 1/2) THD NIPPLE, 40ø(1 1/2) TIGHT FILL CONNECTION AND DUST CAP (KAMLOK OR EQUAL) - TANK DIPPING
- 6 50ø (2) FNPT FITTING - c/w MORRISON CLOCK GAUGE MODEL 818MET0100AG AND STL DROP PIPE WITH 6mmø (1/4) HOLE DRILLED IN TOP TO VENT INTO TANK
- 7 50ø (2) FNPT FITTING - SPARE
- 8 EMERGENCY VENT
- 9 50ø (2) FNPT FITTING C/W THD PLUG - SPARE
- 10 50ø (2) FNPT FITTING c/w 50øX19ø (2"X3/4) D.T. BUSHING AND 19ø (3/4) SCH. 40 STL. DROP TUBE - FUEL TRANSFER
- 11 50ø (2) FNPT FITTING - DAY TANK VENT/OVERFLOW
- 12 75ø (3) FNPT FITTING - VENT PIPE AND OPEN VAPOUR VENT WITH RAIN HOOD

NOTE:  
 1. TANK TO BE DESIGNED FOR SEISMIC RESTRAINT BY MANUFACTURER.

DWG. No.		REFERENCE DRAWINGS		REV	DATE	REVISION DESCRIPTION	DWN	APP'D
				0	12.11.26	ISSUED FOR TENDERING	D.C.	B.H.
				P2	12.10.22	RE-ISSUED FOR CLIENT REVIEW	D.C.	B.H.
				P1	12.10.03	ISSUED FOR CLIENT REVIEW	D.C.	B.H.

SCALE: AS SHOWN		APPROVED BY:		DRAWN BY: D.C.	
DATE: 30/08/12		ENGINEER: B.H.		CLIENT: CHECKED BY: B.H.	
<b>PINKUT CREEK SPAWNING CHANNEL</b> <b>FUEL SYSTEM UPGRADES</b> <b>PUMPHOUSE AREA MAIN TANK DETAILS</b>					
DRAWING NUMBER				REV	
21-18-M27				0	



CAD FILE NAME: J:\DRAWINGS\2011\41-145		LAST UPDATE: --	
SCALE: AS SHOWN		APPROVED BY:	
DATE: 30/08/12		ENGINEER: B.H.	
		CLIENT: CHECKED BY: B.H.	
		DRAWN BY: D.C.	