

PUMPHOUSE REMOVAL/DEMO - PLAN
SCALE: 1:75

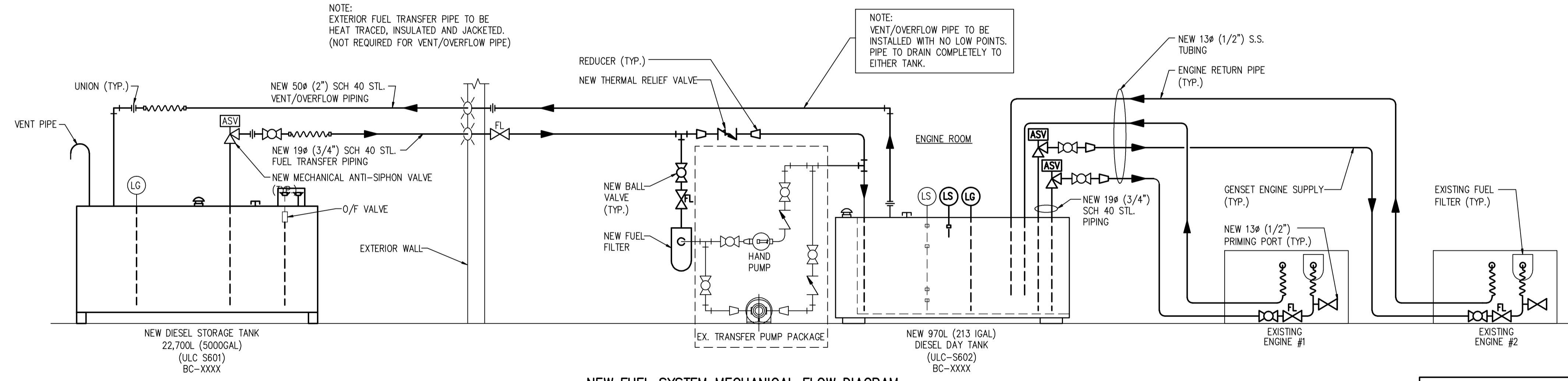
PUMPHOUSE MODIFIED - PLAN
SCALE: 1:75

EXISTING DIESEL TANK REMOVAL/DEMO

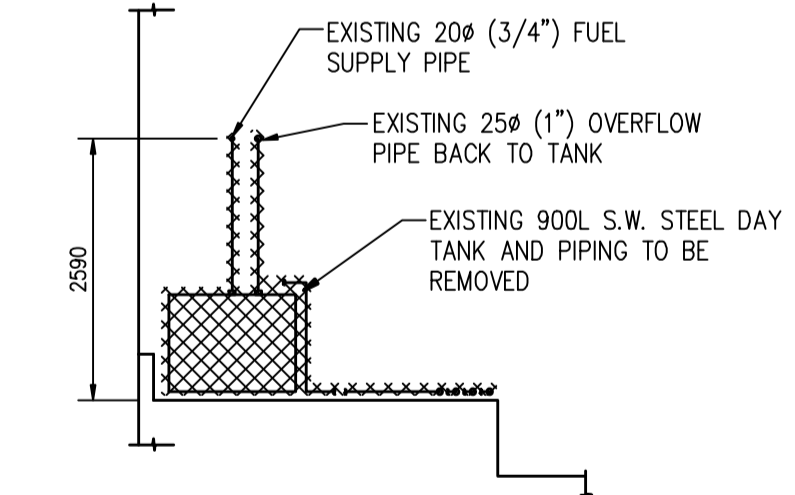
EXISTING DIESEL TANK REMOVAL/DEMO

NOTE:
EXTERIOR FUEL TRANSFER PIPE TO BE HEAT TRACED, INSULATED AND JACKETED. (NOT REQUIRED FOR VENT/OVERFLOW PIPE)

NOTE:
VENT/OVERFLOW PIPE TO BE INSTALLED WITH NO LOW POINTS. PIPE TO DRAIN COMPLETELY TO EITHER TANK.



NEW FUEL SYSTEM MECHANICAL FLOW DIAGRAM
N.T.S.



EXISTING DAY TANK REMOVAL/DEMO

SECTION C
1:75

MORROW PROJECT #41-145

Morrow Engineering Ltd.
CONSULTING ENGINEERS
NORTH VANCOUVER, B.C.

FISHERIES AND OCEANS CANADA
HABITAT AND ENHANCEMENT BRANCH

DWG. NO.	REFERENCE DRAWINGS	NOTES	NO.	DATE	REVISIONS
			1	13-08-07	RE-ISSUED FOR TENDERING
			0	12-11-26	ISSUED FOR TENDERING
			P2	12-10-22	RE-ISSUED FOR CLIENT REVIEW
			P1	12-10-03	ISSUED FOR CLIENT REVIEW

PINKUT CREEK SPAWNING CHANNEL
FUEL SYSTEM UPGRADES
PUMPHOUSE AREA
PLANS & SECTIONS

DESIGNED	B.H.
DRAWN	D.C./C.K.
CHECKED	B.H.
RECOMMENDED	
APPROVED	
APPROVED	

SCALE	AS NOTED
DATE	10.08.04
DRAWING NUMBER	21-18-M24
REVISION	1